



ELiS AX air curtain

Kurtyna powietrzna ELiS AX

Technical documentation·Instruction manual
Dokumentacja techniczna·Instrukcja użytkowania

ELiS AX W-100
ELiS AX W-150
ELiS AX W-200
ELiS AX W-250

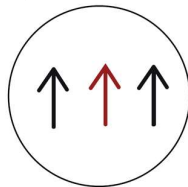


Quiet EC fans



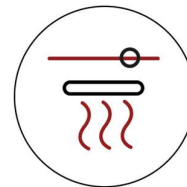
Ciche wentylatory EC

High performance



Wysoka wydajność

A wide range of heating power



Szeroki zakres mocy grzewczych

Works discreetly for you

TECHNICAL DOCUMENTATION	EN3
1. IMPORTANT INFORMATION.....	3
2. GENERAL INFORMATION.....	4
3. TECHNICAL DATA ELIS AX.....	5
4. DIMENSIONS.....	6
5. INSTALLATION.....	6
6. HORIZONTAL INSTALLATION.....	7
7. VERTICAL INSTALLATION.....	8
8. CONNECTION OF ELECTRICAL INSTALALTION.....	10
9. CONNECTION OF COMPONENTS.....	12
10. CONNECTION OF HYDRAULIC INSTALLATION.....	15
11. PARAMETERS OF THE HEATING MEDIUM.....	16
12. OPERATION.....	16
13. CLEANING AND MAINTENANCE.....	16
14. FILTER INSTALATION.....	17
15. CONFORMITY WITH WEEE DIRECTIVE 2012/19/UE.....	18
16. SERVICE AND WARRANTY TERMS.....	18

DOKUMENTACJA TECHNICZNA	PL.....19
1. WAŻNE INFORMACJE.....	19
2. INFORMACJE OGÓLNE.....	20
3. DANE TECHNICZNE KURTYN ELIS AX.....	21
4. WYMIARY.....	22
5. MONTAŻ.....	22
6. MONTAŻ POZIOMY.....	23
7. MONTAŻ PIONOWY.....	24
8. PODŁĄCZENIE INSTALACJI ELEKTRYCZNEJ.....	26
9. PODŁĄCZENIE KOMPONENTÓW.....	28
10. PODŁĄCZENIE INSTALACJI HYDRAULICZNEJ.....	31
11. PARAMETRY CZYNNIKA GRZEWCZEGO.....	32
12. EKSPLOATACJA.....	32
13. CZYSZCZENIE I KONSERWACJA.....	32
14. MONTAŻ FILTRA.....	33
15. ZGODNOŚĆ Z DYREKTYWĄ WEEE 2012/19/UE.....	34
16. WARUNKI SERWISU I GWARANCJI.....	34

1. IMPORTANT INFORMATION

We have made every effort to make this manual as easy to understand as possible. However, if you have any difficulties, problems or questions, please contact FLOWAIR support at: info@flowair.pl. Also visit our website www.flowair.pl where you will find mounting tips.

In this manual you will find important safety information and tips marked as below:



Dangerous practices which may result in serious injury or death. Read all warnings before starting work.



Unsafe practices which, if not avoided, may result in damage to property or minor injuries. Before starting work, read all cautions.



Useful tips for the user and installer.

IMPORTANT SAFETY INFORMATION:



1. Before installing, connecting, starting up, using and maintaining the device, please read this manual completely.
2. After receiving the product, check that it has not been damaged during transport. If the product appears to be damaged, DO NOT START TO MOUNT THE DEVICE; instead, you must immediately report the damage to the delivery man.
3. The device must be mounted in a stable way and in accordance with the instructions, in a place that can be easily accessed, thus ensuring the possibility of carrying out repairs and routine maintenance, as well as allowing easy and safe disassembly of the device.
4. The stability and durability of installation of the device depends on the structure of the building (in particular walls and ceilings). The person performing the assembly should take these conditions into account when mounting the device.
5. The technical documentation should be kept in a safe place, easily accessible to the user and service technician.
6. Always test the operation of the device after installation.



1. The power connection shall be performed only by an authorized person.
2. The device is not equipped with a thermostat that controls the room temperature. Do not use the device in small rooms where there are people who are not able to leave the premises alone. Above mentioned does not apply to rooms with constant supervision.
3. The device requires periodic inspections in accordance with the instructions in this manual.
4. Do not hang/put pressure on the device.
5. Do not place any objects on the device or hang anything on the connection stubs.
6. The product should be stored and assembled out of the reach of small children.
7. The device is dedicated to work indoors with a maximum air dustiness of 0.3 g/m³. The device has elements made of aluminum, copper and steel and cannot be used in an corrosive environment.
8. Equipment cannot be used in an environment where oil mist is present.
9. This equipment may be used by children that are at least 8 years old, by persons with reduced physical and mental abilities and persons with no experience and knowledge of the equipment, on condition that the supervision or instruction regarding correct use of the equipment in a safe manner is provided and the possible threats are understood. The device cannot be used by children to play. Unattended children should not clean or maintain the equipment.



1. The device is powered by dangerous voltage. Always disconnect the device from the power supply before servicing or accessing its internal components.
2. Do not insert your fingers or any objects inside the device.
3. Do not cover the device.

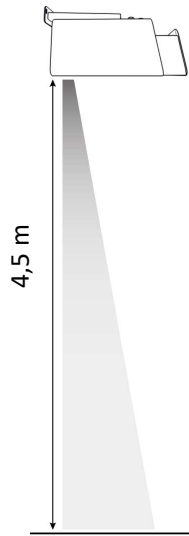
2. GENERAL INFORMATION

ELiS AX air curtain is a high-quality device that, by creating an air barrier, reduces heat losses. The device is dedicated ONLY for indoor use. The ELiS AX air curtain is intended for horizontal installation above a door opening or vertical installation with a door opening.

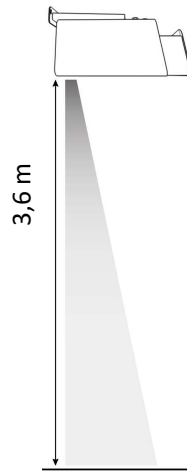
The air curtain is available in a version with a water 3-row or 4-row heat exchanger:

- ELiS AX36-W3R-100, ELiS AX36-W3R-150, ELiS AX36-W3R-200, ELiS AX36-W3R-250 – air curtains with 3-row water heat exchanger with a maximum range of 3,6 m*,
- ELiS AX36-W4R-100, ELiS AX36-W4R-150, ELiS AX36-W4R-200, ELiS AX36-W4R-250 – air curtains with 4-row water heat exchanger with a maximum range of 3,6 m*,
- ELiS AX45-W3R-100, ELiS AX45-W3R-150, ELiS AX45-W3R-200, ELiS AX45-W3R-250 – air curtains with 3-row water heat exchanger with a maximum range of 4,5 m*,
- ELiS AX45-W4R-100, ELiS AX45-W4R-150, ELiS AX45-W4R-200, ELiS AX45-W4R-250 – air curtains with 4-row water heat exchanger with a maximum range of 4,5 m*.

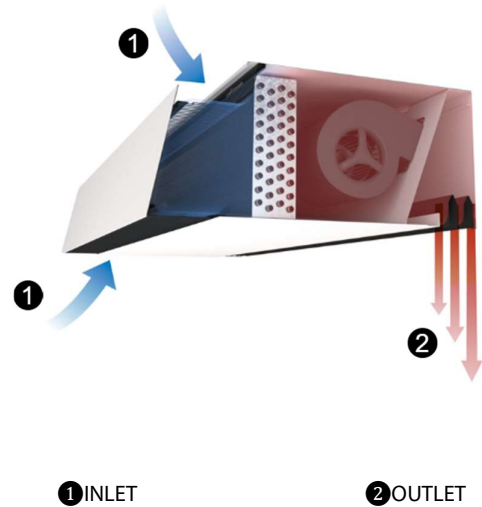
* according to ISO 27327-1



PIC. 2.1 ELiS AX45 RANGE.



PIC. 2.2 ELiS AX36 RANGE.



PIC. 2.3 DIRECTION OF AIR FLOW.

ADVICE



1. The use of an air curtain is recommended for public buildings .
2. Underpressure in the building significantly reduces the efficiency of the air barrier, the ventilation system should be balanced.
3. At a wind speed of more than 3 m/s, the heated version of air curtain should be used to increase user comfort.

3. TECHNICAL DATA ELIS AX

	ELiS AX36-W3R-100	ELiS AX36-W3R-150	ELiS AX36-W3R-200	ELiS AX36-W3R-250	ELiS AX36-W4R-100	ELiS AX36-W4R-150	ELiS AX36-W4R-200	ELiS AX36-W4R-250
Number of fans	2	3	5	6	2	3	5	6
Power supply [V/Hz]	230/50	230/50	230/50	230/50	230/50	230/50	230/50	230/50
Max. current consumption [A]	2,3	3,3	5,6	6,4	2,2	3,2	5,5	6,3
Power consumption [kW]	0,27	0,40	0,67	0,81	0,27	0,40	0,67	0,81
IP	21							
Connection stub ["]	3/4							
Air volume ⁽¹⁾ [m ³ /h]	900 - 1800	1200-2700	2000-4300	2300-5300	800-1700	1100-2600	1900-4200	2200-5200
Max. air volume with filter (Coarse 30%) ⁽¹⁾ [m ³ /h]	1600	2400	3900	4800	1500	2300	3800	4700
Acoustic pressure level ⁽²⁾ [dB(A)]	42-60	43-61	45-63	46-64	41-59	42-60	44-62	45-63
Acoustic power level ⁽³⁾ [dB(A)]	58-76	59-77	61-79	62-80	57-75	58-76	60-78	61-79
Heating power ⁽⁴⁾ [kW]	8,1-12,9	11,8-20,5	17,1-29,0	21,4-38,0	8,7-15,2	12,7-24,1	20,6-36,7	24,7-46,6
Temperature increase ⁽⁴⁾ (ΔT) [°C]	26-21	29-22	25-20	27-21	32-26	34-27	31-26	33-26
Max. Water pressure [MPa]	1,6							
Max. water temperature [°C]	60							
Max. operating temperature [°C]	50							
Device mass [kg]	38,5	53,3	71,7	86,8	40,0	55,6	74,8	90,3
Max. range ⁽¹⁾ [m]	3,6							

	ELiS AX45-W3R-100	ELiS AX45-W3R-150	ELiS AX45-W3R-200	ELiS AX45-W3R-250	ELiS AX45-W4R-100	ELiS AX45-W4R-150	ELiS AX45-W4R-200	ELiS AX45-W4R-250
Number of fans	3	4	6	7	3	4	6	7
Power supply [V/Hz]	230/50	230/50	230/50	230/50	230/50	230/50	230/50	230/50
Max. current consumption [A]	3,3	4,6	6,4	7,6	3,2	4,5	6,3	7,5
Power consumption [kW]	0,49	0,65	0,99	1,15	0,49	0,65	0,99	1,15
IP	21							
Connection stub ["]	3/4							
Air volume ⁽¹⁾ [m ³ /h]	1100-2500	1500-3500	2200-5000	2400-6100	1000-2400	1400-3400	2100-4900	2300-6000
Max. air volume with filter (Coarse 30%) ⁽¹⁾ [m ³ /h]	2300	3200	4500	5500	2200	3100	4400	5400
Acoustic pressure level ⁽²⁾ [dB(A)]	43-61	44-62	45-64	46-65	42-60	43-61	44-63	45-64
Acoustic power level ⁽³⁾ [dB(A)]	59-77	60-78	61-80	62-81	58-76	59-77	60-79	61-80
Heating power ⁽⁴⁾ [kW]	9,3-15,7	13,9-24,1	18,4-31,8	22,1-41,4	10,3-19,1	15,3-28,9	22,2-40,6	25,6-51,3
Temperature increase ⁽⁴⁾ (ΔT) [°C]	25-18	27-20	24-19	27-20	30-23	32-25	31-24	33-25
Max. water pressure [MPa]	1,6							
Max. water temperature [°C]	60							
Max. operating temperature [°C]	50							
Device mass [kg]	40,8	55,5	73,7	88,8	42,3	57,8	76,8	92,3
Max. range ⁽¹⁾ [m]	4,5							

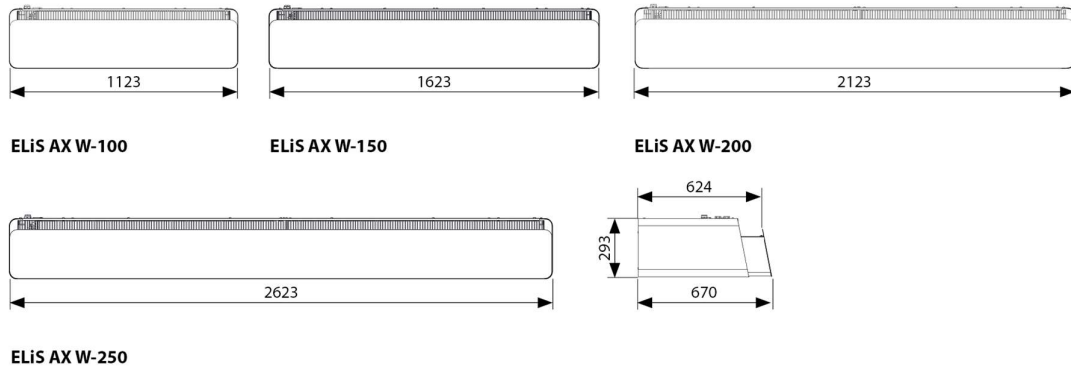
(1) According to ISO 27327-1 (airflow given for fan setting range 25%-100%);

(2) Acoustic pressure level has been measured in a 1500m³ space with a medium sound absorption coefficient, directional factor: Q=2;

(3) Acoustic power level according to ISO 27327-2;

(4) Power and temperature range specified for the parameters fan setting of 25%, heating medium temperature 60/40°C temperature at the inlet to the device 18°C - fan setting of 100%, heating medium temperature 60/40°C temperature at the inlet to the device 18°C;

4. DIMENSIONS

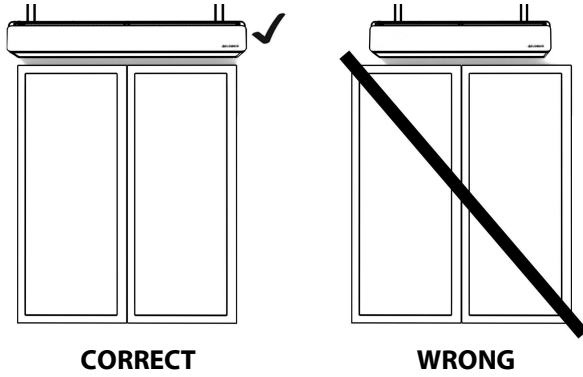


PIC. 4.1 BASIC DIMENSIONS.

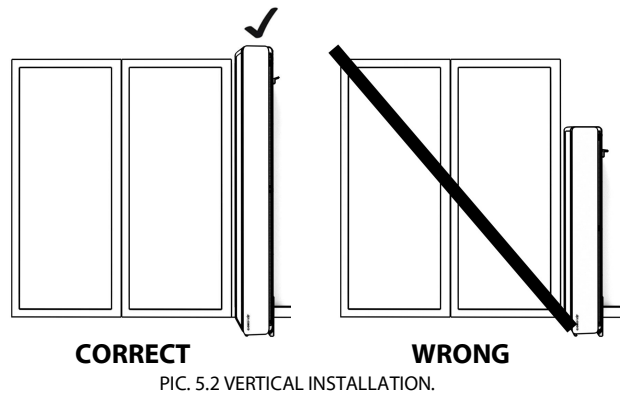
5. INSTALLATION

Air curtains must be installed as close as possible to the door opening and cover:

- the entire width (applies to horizontal installation),
- full height (applies to vertical mounting).



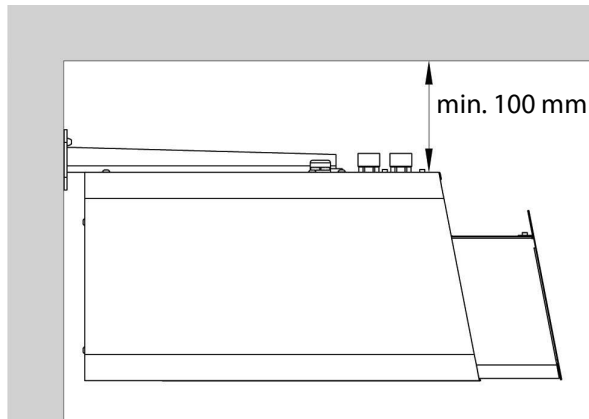
PIC. 5.1 HORIZONTAL INSTALLATION.



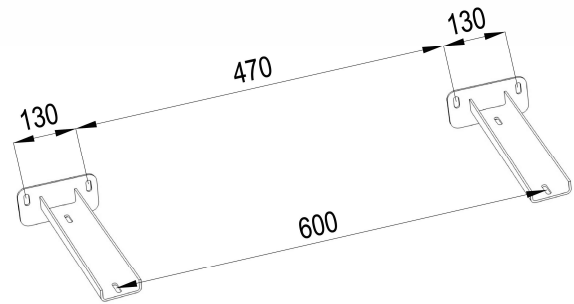
PIC. 5.2 VERTICAL INSTALLATION.

6. HORIZONTAL INSTALLATION

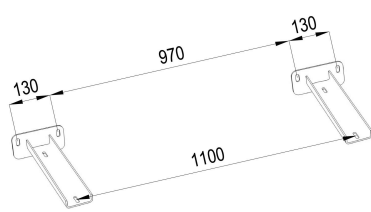
ELIS AX curtains are adapted for horizontal installation, with the use of dedicated brackets or M8 threaded rods. During assembly, keep the minimum distances as shown in the figure below. The device must be beveled before it is put into operation.



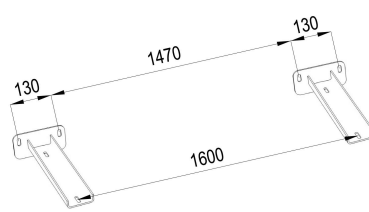
PIC. 6.1 MOUNTING WITH DEDICATED BRACKETS.



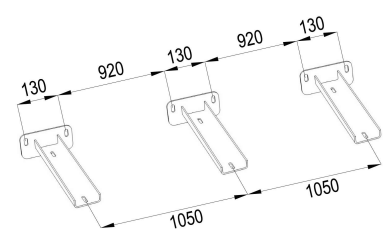
PIC. 6.2 BRACKETS DISTANCE ELIS AX W 100.



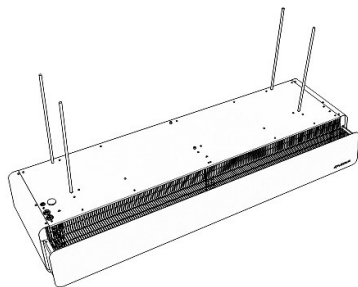
PIC. 6.3 BRACKETS DISTANCE ELIS AX W 150.



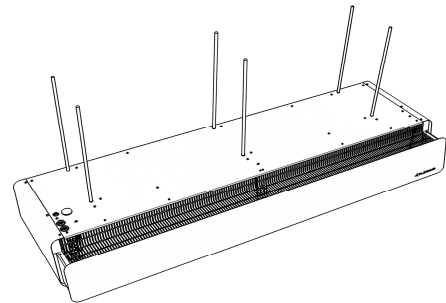
PIC. 6.4 BRACKETS DISTANCE ELIS AX W 200.



PIC. 6.5 BRACKETS DISTANCE ELIS AX W 250.



PIC. 6.6 INSTALLATION WITH THREADED RODS ELIS AX 100/150/200.



PIC. 6.7 INSTALLATION WITH THREADED RODS ELIS AX 250.

7. VERTICAL INSTALLATION



PIC. 7.1. ON THE LEFT SIDE OF THE DOOR.



PIC. 7.2. ON THE RIGHT SIDE OF THE DOOR.

CAUTION



In the case of vertical installation of the air curtain and when the water connection is located in the lower part of the device (PIC. 7.1), it may be difficult to vent the water heat exchanger. Before turning the device on, check that the water heat exchanger has been filled with water and vented.

The ELiS AX vertical air curtain mounting kit includes:

- mounting base (A) for mounting the air curtain to the floor,
- side bracket (B) for mounting the curtain to the wall,
- M8 metric screws with washers for mounting the curtain to the base and side bracket (4 pieces).

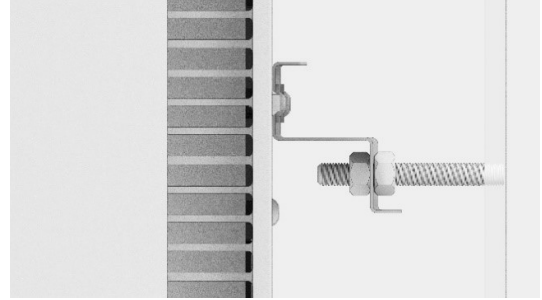
During installation, you should:

- Fix the base (A) at a distance of not less than 50 mm and not more than 100 mm from the wall where the door is.
- Fix the side bracket (B) at a d
- The height of attachment of the side bracket to the wall depends on the model of the device.

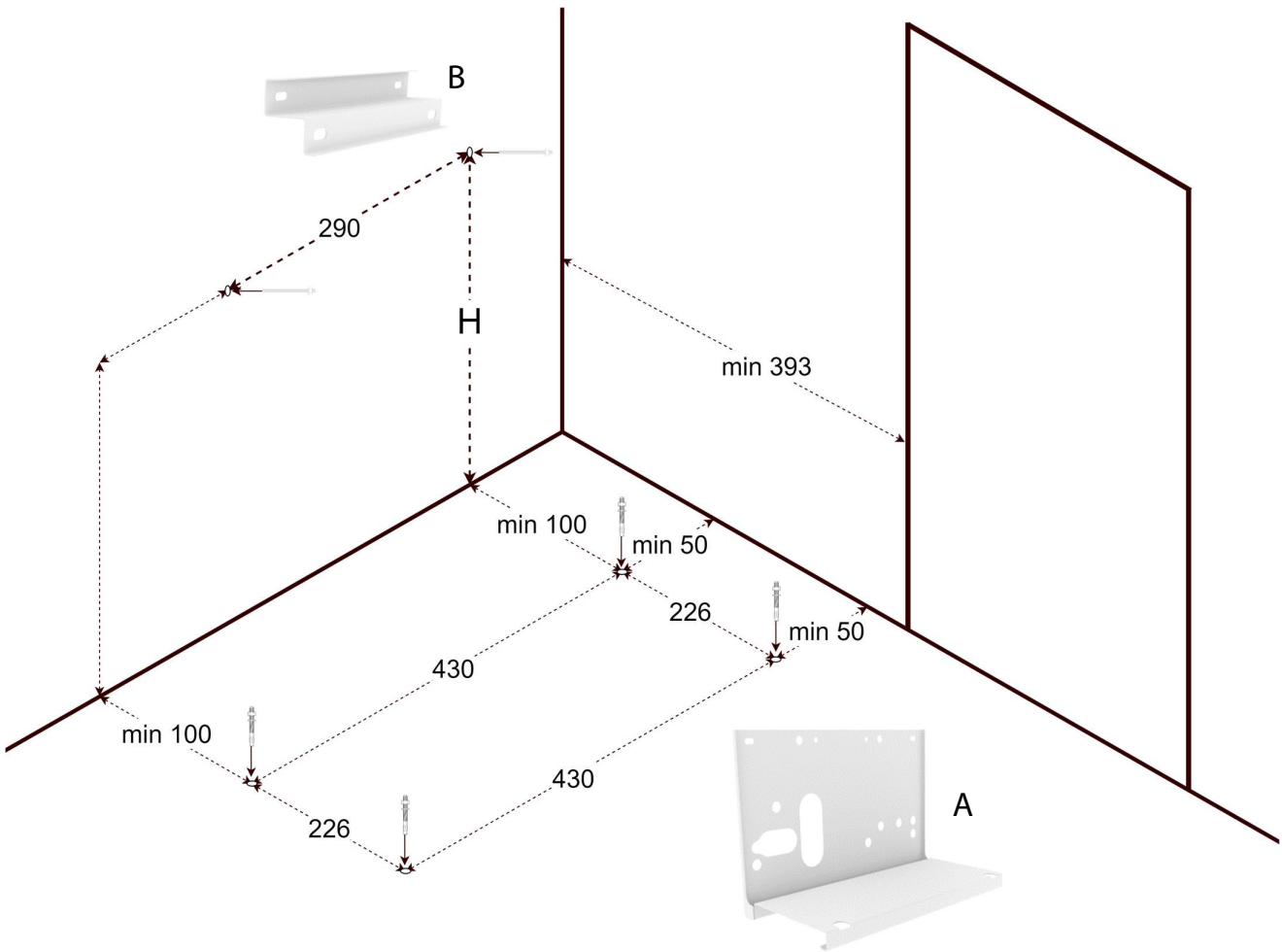
Device model	Height of holes for threaded rods (letter H in the diagram below)
ELiS AX 100	854 mm
ELiS AX 150	1100 mm
ELiS AX 200	1854 mm
ELiS AX 250	2354 mm

Instructions:

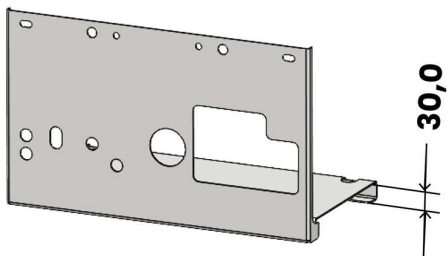
1. Drill holes for the base keeping the distances shown in the diagram below.
2. Drill holes for the side bracket, keeping the appropriate height for your model of unit.
Attach the base to the floor.
3. Fix the side bracket to the device using M8 screws (not included in the installation kit).
4. Fasten the M8 threaded rods in the wall.
Remember, the threaded rods protruding from the wall must be shorter than the distance of the unit from the wall, so as not to damage the air curtain.
5. Mount the unit by screwing it to the base using washers and M8 screws and to the rods protruding from the wall.
Remember to counter the side bracket (use a nut before and after the bracket (see graphic)).



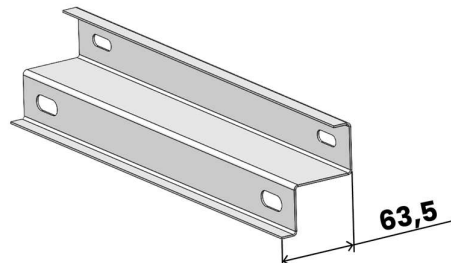
PIC. 7.3. COUNTER ON WALL BRACKET.



PIC. 7.4. SCHEME FOR THE MOUNTING HOLES OF THE BASE (A) AND WALL BRACKET (B).

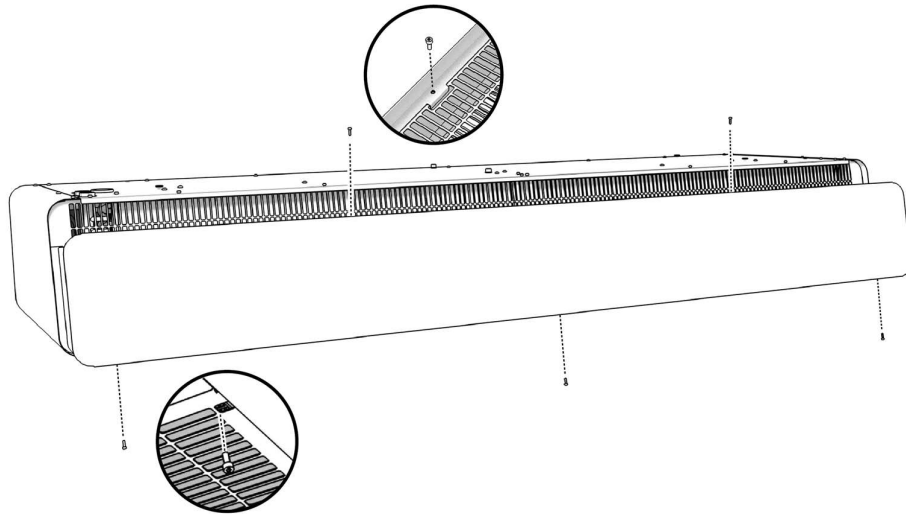


PIC. 7.5. THE BASE HEIGHT



PIC. 7.6. THE WIDTH OF WALL BRACKET

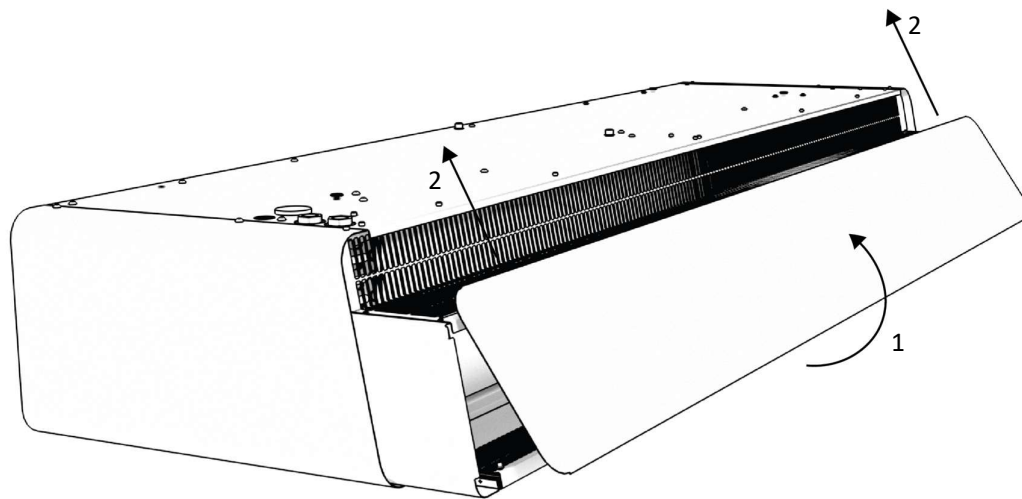
8. CONNECTION OF ELECTRICAL INSTALALTION



PIC. 8.1 SCREW POSITIONS.

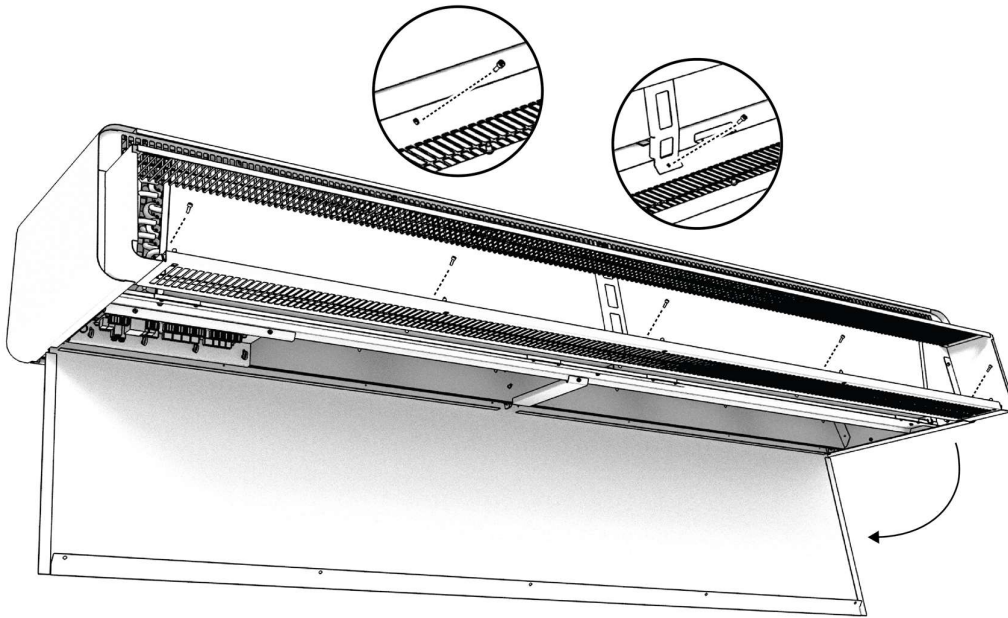
- Remove screws from down and above as in the picture PIC. 8.1
- Use imbus 3.0 mm key to remove the screws.
- Depending on the length of the device, the number of screws varies (see the table).

Model	Number of bolts from above	Number of bolts from below
ELIS AX 100	1	3
ELIS AX 150	2	4
ELIS AX 200	2	5
ELIS AX 250	3	6



PIC. 8.2 REMOVING THE COVER.

- To remove the cover, tilt it (1) and slide it out of the catches (2) as shown in the graphic PIC. 8.2



PIC. 8.3 RELEASING THE INSPECTION HATCH.

- Unscrew the screws inside the device to be able to open the inspection hatch.
- Depending on the length of the device, the number of screws varies (see the table).

Model	Number of screws to unscrew inside
ELIS AX 100	3
ELIS AX 150	5
ELIS AX 200	5
ELIS AX 250	7

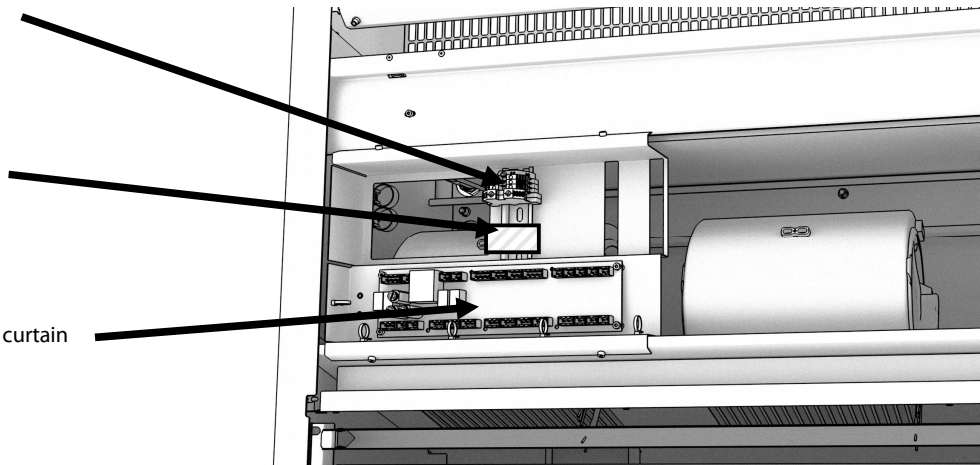
CAUTION

Hold the hatch while unscrewing to prevent it from opening suddenly.

Power supply connection position

Transformer position (optional)

Position of the DRV ELIS AX in the curtain

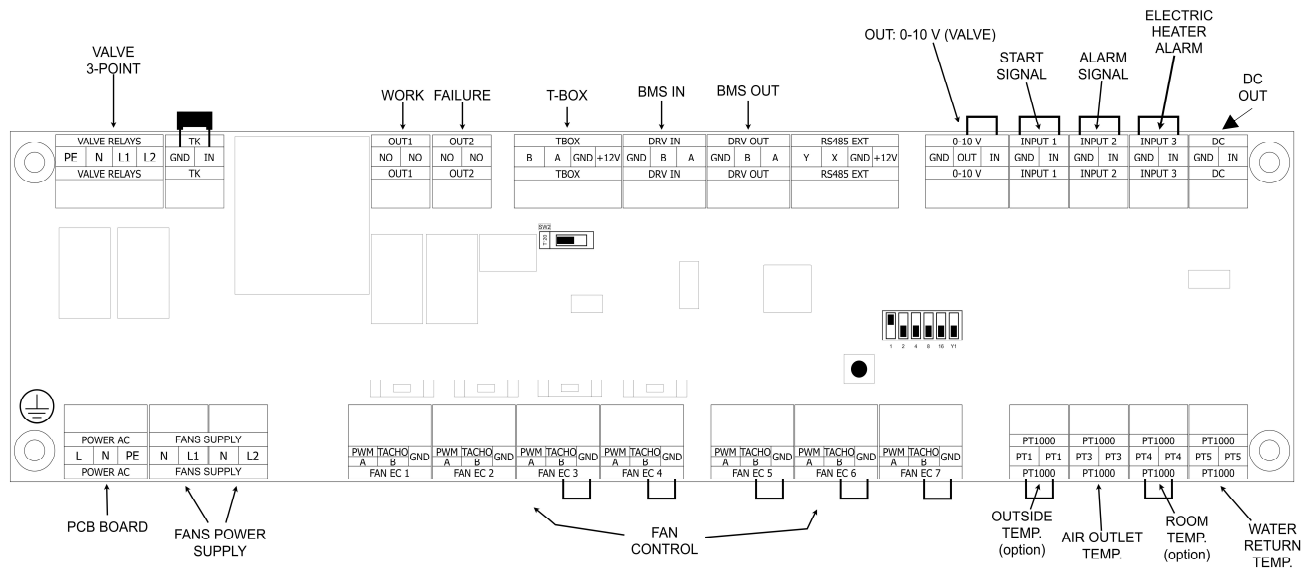


PIC. 8.4 VIEW OF CONNECTIONS AND DRV ELIS AX INSIDE THE INSPECTION HATCH.

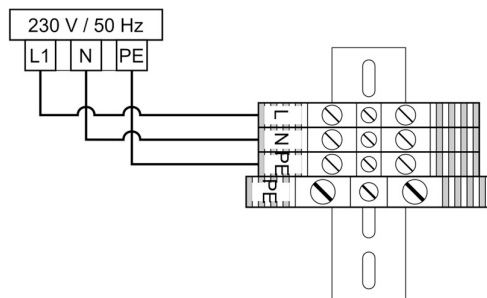
1. The power connection should be made in accordance with the technical documentation. The device installation should always be carried out in accordance with applicable local safety standards.
2. The cross-section and type of cable should be selected by the designer. Always make sure that the disconnectors and protective switches are properly sized and disconnect all poles of the power supply.
3. Make sure that the connection of power supply and controllers to the ELIS AX curtain is made in accordance with the electrical specifications and the instructions included in the connection diagrams in the technical documentation.
4. Before connecting the power supply, check that the mains voltage corresponds to the voltage on the device's type plate.
5. Check the power connection before connecting the air curtain.
6. Starting the device without connecting the grounding wire is not allowed.
7. Protect the power cord against pulling out by clamping the cable gland.
8. Tighten all connection cables in the block properly
9. Do not start the device with the service hatch open.

WARNING

9. CONNECTION OF COMPONENTS

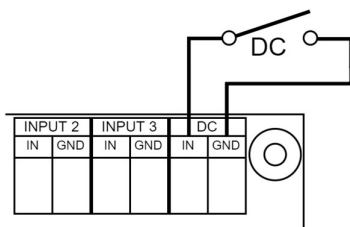


PIC. 9.1 GENERAL APPEARANCE OF THE DRV ELIS EC.



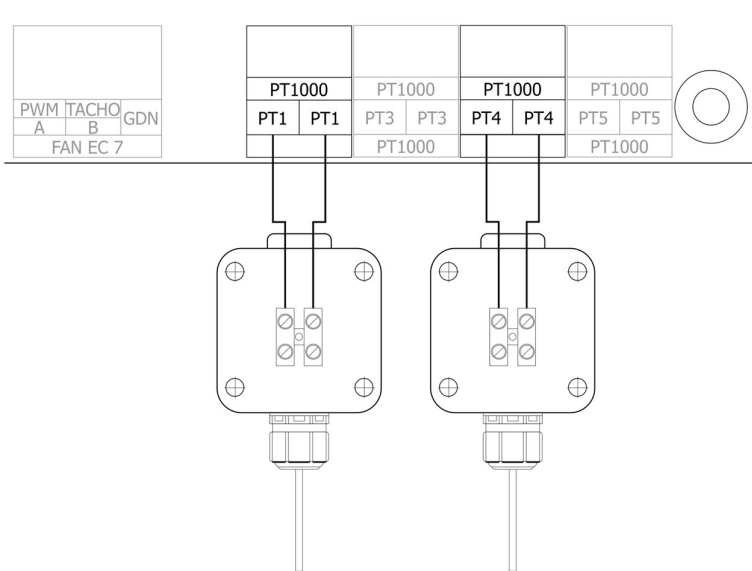
PIC. 9.2 POWER SUPPLY.

- Conductor cross-section:
- min. 3x1,5 mm²
 - Protection B10



PIC. 9.3 CONNECTING OF THE DOOR SENSOR.

- Conductor cross-section:
- min. 2x0,5 mm²

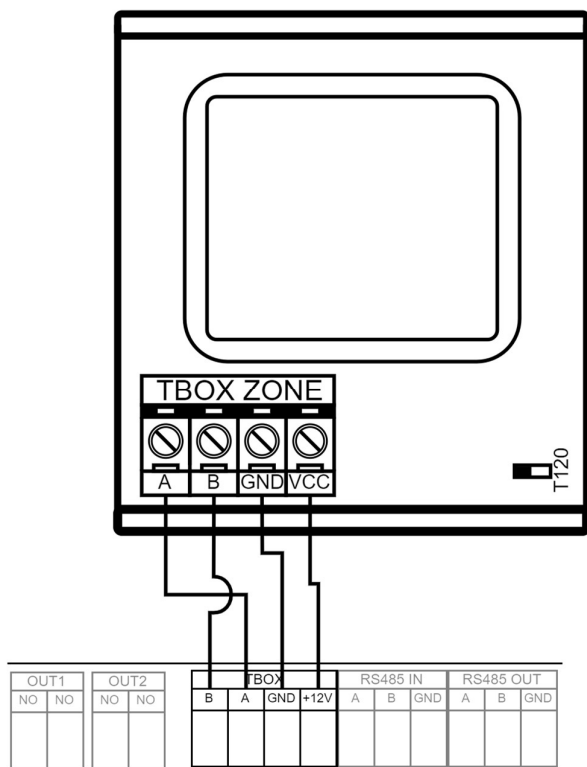


Temperature sensors PT1 and PT4 are optional.

Conductor cross-section:

- 2x0,5mm²

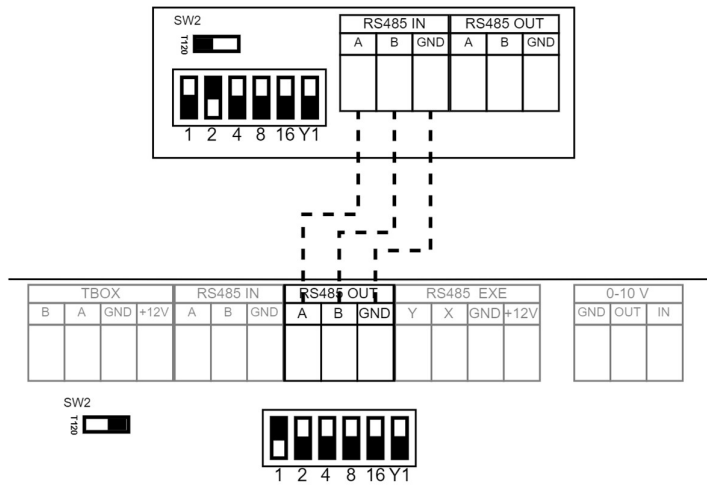
PIC. 9.4 CONNECTION OF PT-1000 SENSORS.



Conductor cross-section:

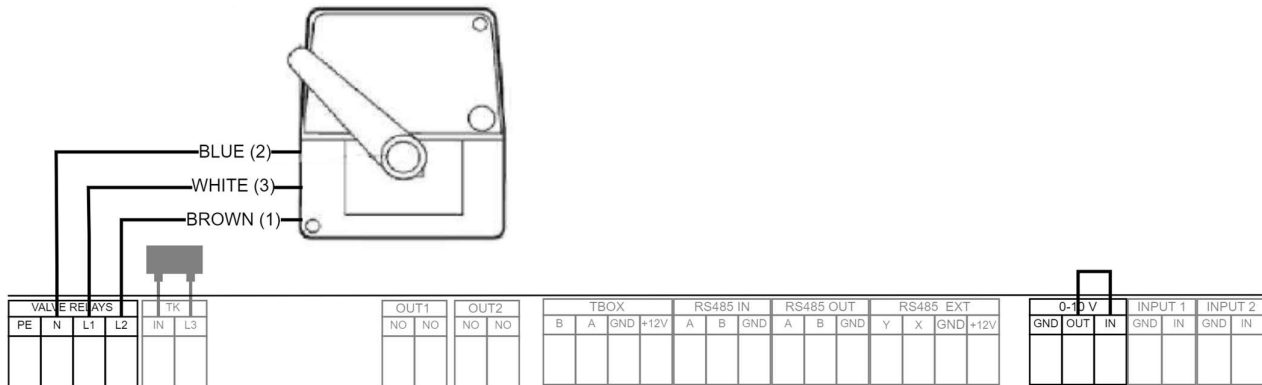
- LIYY-P min. 2x2x0,5mm²

PIC. 9.5 T-BOX ZONE CONNECTION.



PIC. 9.6 DRV CHAINING.

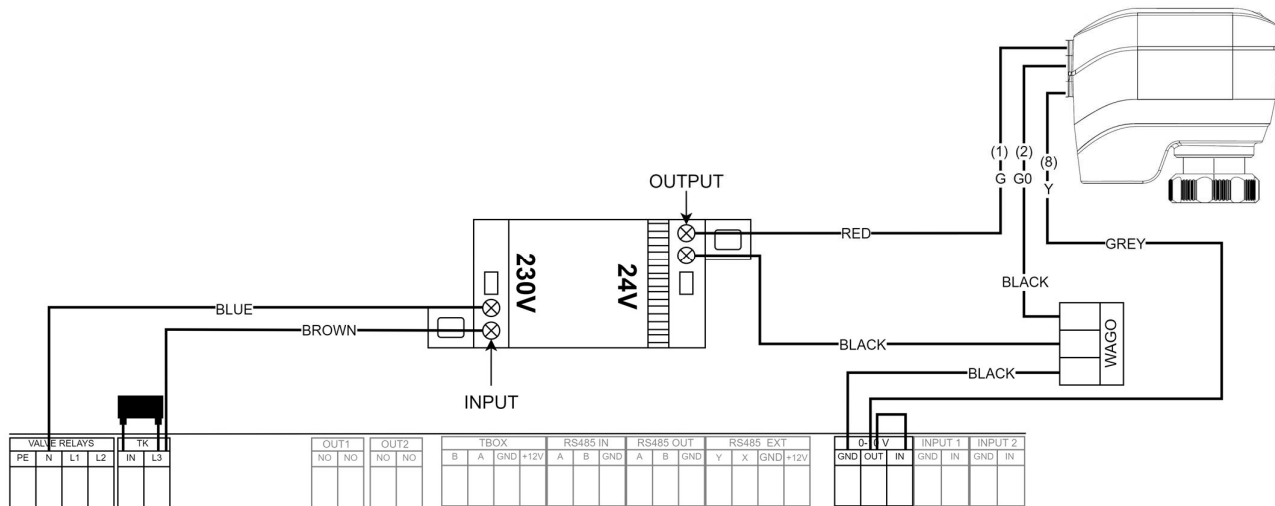
Conductor cross-section:
 • LIYY-P min. 2x2x0,5mm²



PIC. 9.7 CONNECTION OF 3-WAY VALVE WITH A 3P ACTUATOR.

Kit sold separately.

Conductor cross-section: 3x0,75mm²

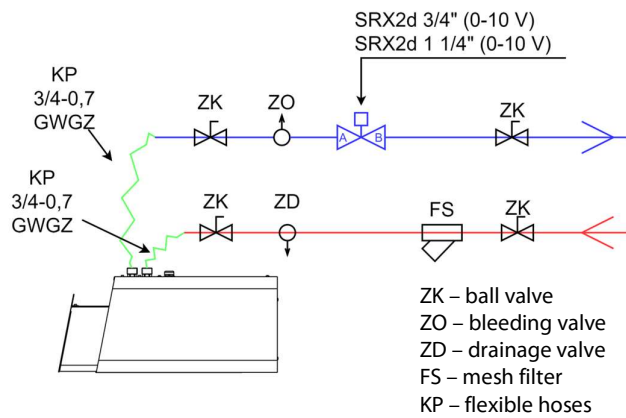


PIC. 9.8 CONNECTION OF 2-WAY VALVE WITH AN ACTUATOR (FLUENT MODULATION 0-10 V).

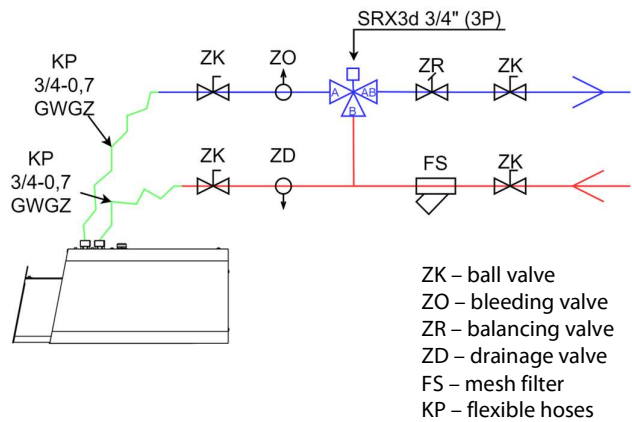
The valve set includes an actuator, a transformer and a set of wires for connection as shown in the diagram PIC. 9.8.

Kit sold separately.

10. CONNECTION OF HYDRAULIC INSTALLATION



PIC. 10.1 CONNECTION EXAMPLE OF SRX2D.



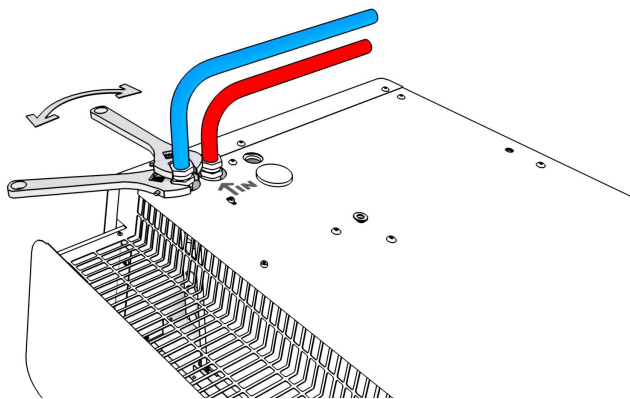
PIC. 10.2 CONNECTION EXAMPLE OF SRX3D.

SRX VALVES PARAMETERS:

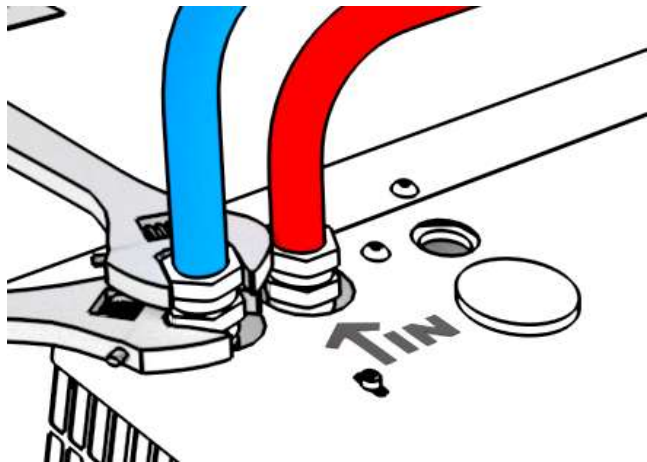
- **SRX2d 3/4"** – two-way valve 3/4" with an actuator (fluent modulation 0-10 V).
- **SRX2d 1 1/4"** – two-way valve 1 1/4" with an actuator (fluent modulation 0-10 V).
- **SRX3d 3/4"** – three-way valve 3/4" with an actuator (3-point modulation)

- **SRX2d:**
Class of protection: IP54,
Supply voltage: AC/DC 24 V,
(with a supplied transformer: 230 V), 50 Hz,
Max. medium temperature : +120°C,
Max. operating pressure: 2,5 MPa,
SRX2d 3/4": Water flow range: 220 – 1330 l/h,
SRX2d 1 1/4": Water flow range: 550 – 4001 l/h

- **SRX3d:**
Class of protection: IP40,
Supply voltage: AC 230 V/50 Hz,
Max. medium temperature: +120°C,
Max. operating pressure: 1,0 MPa,
SRX3d 3/4" Kvs: 6,3 m3/h,
Running time: 140 s



PIC. 10.3 COUNTER.



PIC. 10.4 WATER INLET CONNECTION POINT

WARNING



1. Disconnect the curtain power supply before connecting the water system.
2. The connection should be made without stress. It is recommended to use flexible ducts supplying the heating medium.
3. Water supply should be connected to the connector marked with the symbol ↑ IN.
4. The installation with the heating medium must be protected against the increase of the heating medium pressure above the permissible value (1.6 MPa).
5. Before starting the device, check the correct connection of the heating medium and the system for leaks.
6. During assembly of the installation it is absolutely necessary to immobilize the exchanger's connector pipes (PIC. 10.3).
7. After filling the system with heating medium, check the tightness of the hydraulic connections, including the built-in vent.

ADVICE

1. It is recommended to use bleeding/air release valves at the highest point of the installation.
2. In the event that the water from the device is drained for a longer period of time, the exchanger tubes should be blown and dried with compressed air.
3. Installation should be carried out in such a way that in the event of a failure it is possible to dismantle the device (use of flexible hoses is recommended). For this purpose, use shut-off valves next to the device.

11. PARAMETERS OF THE HEATING MEDIUM

The water heat exchanger can be supplied with water or glycol solutions up to 60% . The heat exchanger tubes are made of copper. The heating medium should not cause corrosion of this material. In particular, the parameters as below should be provided.

Parameter	Value
pH	7,5-9,0
Pollution	Free of sediments/particles
Total hardness	[Ca ²⁺ ,Mg ²⁺]/ [HCO ₃ ⁻] > 0.5
Oil and grease	<1 mg/l
Oxygen	<0.1 mg/l
HCO ³	60-300 mg/l
Ammonia	< 1.0 mg/l
Sulphides	< 0.05 mg/l
Chlorides, Cl	<100 mg/l

12. OPERATION

1. The device must be periodically checked. These activities should be performed ONLY by qualified personnel. If the device malfunctions, turn it OFF immediately and contact FLOWAIR SERVICE SUPPORT.
2. Do not attempt to repair, move, modify, or reinstall the device yourself. Performing these activities by unauthorized personnel may result in electric shock or fire.
3. Do not use a damaged device. The manufacturer is not responsible for damages resulting from the use of a damaged device.
4. The device is intended for indoor use at temperatures above 0°C. At temperatures below 0°C there is a risk of freezing of the medium.
5. **The manufacturer is not responsible for damage to the heat exchanger resulting from the freezing of the medium in the heat exchanger.**

WARNING**13. CLEANING AND MAINTENANCE**

Periodically check the dirt status of the heat exchanger (not less than once a year). Clogging a part of the air intake causes a decrease in the heating power of the device and adversely affects the operation of the fans.

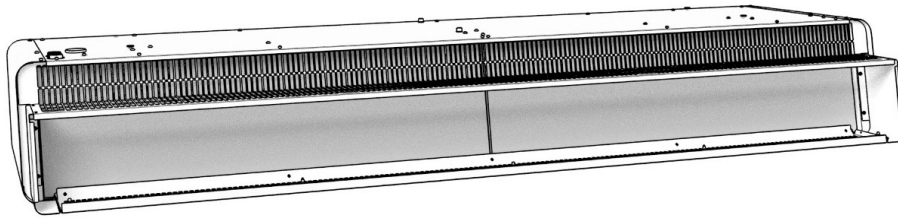
Cleaning the exchanger should be carried out in accordance with the following guidelines:

- The power supply must be disconnected during cleaning.
- Open the service flap.
- When cleaning the exchanger, be careful not to bend the aluminum fins.
- It is not recommended to use sharp objects for cleaning, due to the possibility of damage to the lamellas.
- Cleaning with compressed air is recommended.
- The exchanger cannot be cleaned with water!
- Cleaning should be carried out along the slats, with the blowing nozzle perpendicular to exchanger.

ADVICE

14. FILTER INSTALATION

ELiS AX air curtains can operate with a ISO COARSE 30% filter installed before the exchanger, inside the unit.



PIC. 14.1 FILTER IN THE DEVICE.

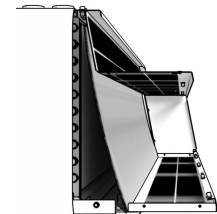
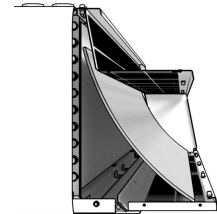
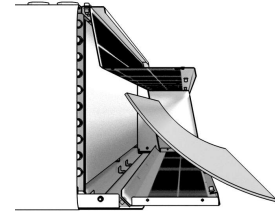
Assembly:

1. Disconnect the power supply.
1. Unscrew the cover PIC. 8.1.
2. Remove the cover PIC. 8.2.
3. Slide the filter between the exchanger and the housing PIC. 14.2.
4. Place the cover in original position and screw it back on.

Filter sold separately.

The filter is flexible and will adjust itself, locking on both sides of the device.

To remove/replace the filter, pull it out of the device by bending it slightly. The filter should be replaced periodically depending on the degree of dirtiness. Always use original filters.



PIC. 14.2 FILTER INSTALLATION.

15. CONFORMITY WITH WEEE DIRECTIVE 2012/19/UE

Running a business without harming the environment and observing the rules of proper handling of waste electrical and electronic equipment is a priority for FLOWAIR.

The symbol of the crossed out wheeled bin placed on the equipment, packaging or documents attached means that the product must not be disposed of with other wastes. It is the responsibility of the user to hand the used equipment to a designated collection point for proper processing. The symbol means that the equipment was placed on the market after August 13, 2005.



For information regarding recycling of waste electrical and electronic equipment, please contact your local distributor.

REMEMBER:

Do not dispose of used equipment together with other waste! There are financial penalties for this. Proper handling of used equipment prevents potential negative consequences for the environment and human health. At the same time, we save the Earth's natural resources, reusing resources obtained from the processing of equipment.

16. SERVICE AND WARRANTY TERMS

Please contact your dealer in order to get familiar with the warranty terms and its limitation.

In the case of any irregularities in the device operation, please contact the manufacturer's service department.

The manufacturer bears no responsibility for operating the device in a manner inconsistent with its purpose, by persons not authorised for this, and for damage resulting from this!

Made in Poland
Made in EU

Manufacturer: FLOWAIR SP. Z O.O.
st. Chwaszczyńska 135, 81-571 Gdynia
e-mail: info@flowair.pl
www.flowair.com

1. WAŻNE INFORMACJE

Dołożyliśmy wszelkich starań, aby niniejsza instrukcja była jak najłatwiejsza do zrozumienia. Jeśli jednak masz jakieś trudności, problemy lub pytania, skontaktuj się ze wsparciem FLOWAIR pod adresem: info@flowair.pl.
Odwiądź także naszą stronę internetową www.flowair.pl, na której znajdziesz pełne wskazówki montażowe.

W niniejszej instrukcji znajdziesz ważne wskazówki oznaczone jak poniżej:



OSTRZEŻENIE

Niebezpieczne praktyki, których zaistnienie może skutkować poważnym urazem lub śmiercią. Przed przystąpieniem do pracy należy zapoznać się ze wszystkimi ostrzeżeniami.



PRZESTROGA

Niebezpieczne praktyki, których zaistnienie może skutkować uszkodzeniem dóbr lub nieznacznymi obrażeniami ciała. Przed przystąpieniem do pracy należy zapoznać się ze wszystkimi przestroгами.



PORADA

Przydatne wskazówki dla użytkownika i instalatora.

WAŻNE INFORMACJE DOTYCZĄCE BEZPIECZEŃSTWA:



PORADA

1. Przed montażem, podłączeniem, uruchomieniem, użytkowaniem i konserwacją urządzenia należy zapoznać się w całości z niniejszą instrukcją.
2. Po odebraniu produktu należy sprawdzić, czy nie uległ on uszkodzeniu podczas transportu. Jeżeli produkt wydaje się być uszkodzony, NIE NALEŻY ROZPOCZYNAĆ INSTALACJI; zamiast tego należy natychmiast zgłosić uszkodzenie przewoźnikowi.
3. Urządzenie musi być zamontowane w sposób stabilny, trwały i zgodny z instrukcją, w miejscu, do którego można uzyskać łatwy dostęp, zapewniając w ten sposób możliwość przeprowadzania napraw i rutynowych czynności konserwujących, a także umożliwiając łatwy i bezpieczny demontaż urządzenia.
4. Stabilność i trwałość montażu urządzenia jest zależna od konstrukcji budynku (w szczególności ścian i stropów). Wykonując montaż, należy uwzględnić te uwarunkowania.
5. Dokumentację techniczną należy przechowywać w bezpiecznym miejscu, łatwo dostępnym dla użytkownika i serwisanta.
6. Po zakończeniu instalacji należy zawsze przetestować działanie urządzenia.



PRZESTROGA

1. Podłączenie zasilania powinna wykonać wyłącznie odpowiednio uprawniona osoba.
2. Urządzenie nie jest wyposażone w termostat kontrolujący temperaturę w pomieszczeniu. Nie używaj urządzenia w małych pomieszczeniach, w których znajdują się osoby nie będące zdolne samodzielnie ich opuścić. Nie dotyczy pomieszczeń z zapewnionym stałym nadzorem.
3. Urządzenie wymaga okresowych przeglądów, zgodnie z zapisami w niniejszej instrukcji.
4. Nie wolno zawieszzać się na urządzeniu.
5. Nie wolno umieszczać na urządzeniu, ani zawieszzać na króćcach przyłączeniowych żadnych przedmiotów.
6. Produkt należy przechowywać i montować w miejscach niedostępnych dla małych dzieci.
7. Urządzenie dedykowane jest do pracy wewnątrz pomieszczeń o maksymalnym zapyleniu powietrza 0,3 g/m³. Urządzenie posiada elementy wykonane z aluminium, miedzi oraz stali i nie może być stosowane w środowisku mogącym powodować ich korozję.
8. Urządzenia nie mogą być stosowane w środowisku, gdzie występuje mgła olejowa.
9. Niniejszy sprzęt może być użytkowany przez dzieci w wieku co najmniej 8 lat i przez osoby o obniżonych możliwościach fizycznych, umysłowych i osoby o braku doświadczenia i znajomości sprzętu, jeżeli zapewniony zostanie nadzór lub instruktaż odnośnie do użytkowania sprzętu w bezpieczny sposób, tak aby związane z tym zagrożenia były zrozumiałe. Urządzenie nie może być używane przez dzieci do zabawy. Dzieci bez nadzoru nie powinny wykonywać czyszczenia i konserwacji sprzętu.



OSTRZEŻENIE

1. Urządzenie jest zasilane napięciem elektrycznym niebezpiecznym dla człowieka. Należy zawsze odłączyć urządzenie od zasilania przed rozpoczęciem czynności serwisowych lub uzyskaniem dostępu do jego podzespołów wewnętrznych.
2. Nie należy wkładać palców ani żadnych przedmiotów do wnętrza urządzenia.
3. Nie wolno przykrywać urządzenia.

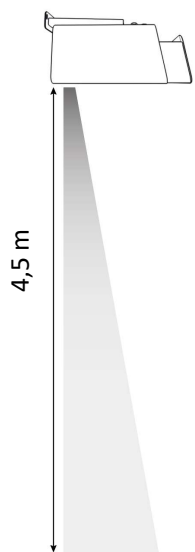
2. INFORMACJE OGÓLNE

Kurtyna powietrzna ELiS AX jest wysokiej jakości urządzeniem, które poprzez nadmuch powietrza ogranicza straty związane z wymianą ciepła. Urządzenie przeznaczone jest WYŁĄCZNIE do pracy wewnątrz pomieszczeń. Kurtyna ELiS AX przeznaczona jest do montażu poziomego nad otworem drzwiowym lub pionowego przy otworze drzwiowym.

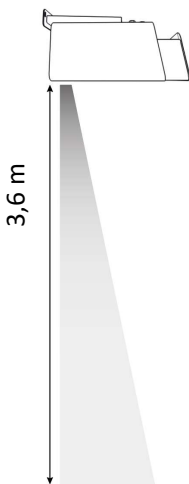
Kurtyna występuje w wersji z wymiennikiem wodnym 3-rzędowym i 4-rzędowym:

- ELiS AX36-W3R-100; ELiS AX36-W3R-150; ELiS AX36-W3R-200; ELiS AX36-W3R-250 – kurtyny z 3-rzędowym wymiennikiem wodnym o maksymalnym zasięgu 3,6 m*,
- ELiS AX36-W4R-100; ELiS AX36-W4R-150; ELiS AX36-W4R-200; ELiS AX36-W4R-250 – kurtyny z 4-rzędowym wymiennikiem wodnym o maksymalnym zasięgu 3,6 m*,
- ELiS AX45-W3R-100; ELiS AX45-W3R-150; ELiS AX45-W3R-200; ELiS AX45-W3R-250 – kurtyny z 3-rzędowym wymiennikiem wodnym o maksymalnym zasięgu 4,5 m*,
- ELiS AX45-W4R-100; ELiS AX45-W4R-150; ELiS AX45-W4R-200; ELiS AX45-W4R-250 – kurtyny z 4-rzędowym wymiennikiem wodnym o maksymalnym zasięgu 4,5 m*.

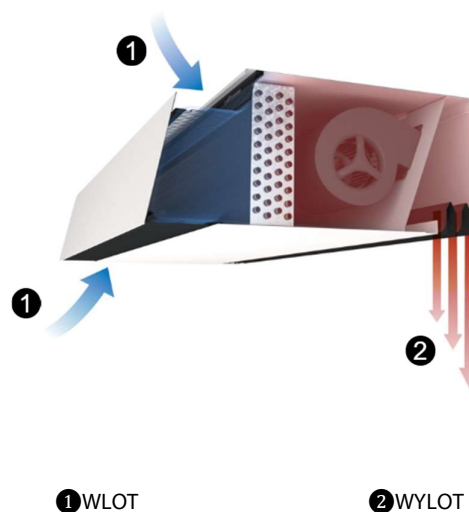
* zgodnie z ISO 27327-1



RYS. 2.2 ZASIĘG KURTYNY ELiS AX45.



RYS. 2.3 ZASIĘG KURTYNY ELiS AX36.



RYS. 2.1 KIERUNEK PRZEPLYWU POWIETRZA.

PORADA



1. Podciśnienie w budynku znacznie obniża sprawność bariery powietrznej, należy zrównoważyć bilans wentylacyjny.
2. Przy prędkości napływającego do budynku wiatru powyżej 3 m/s, wersja z podgrzewem zwiększa komfort użytkowników.

3. DANE TECHNICZNE KURTYN ELIS AX

	ELiS AX36-W3R-100	ELiS AX36-W3R-150	ELiS AX36-W3R-200	ELiS AX36-W3R-250	ELiS AX36-W4R-100	ELiS AX36-W4R-150	ELiS AX36-W4R-200	ELiS AX36-W4R-250
Liczba wentylatorów	2	3	5	6	2	3	5	6
Napięcie znamionowe [V/Hz]	230/50	230/50	230/50	230/50	230/50	230/50	230/50	230/50
Znamionowy pobór prądu [A]	2,3	3,3	5,6	6,4	2,2	3,2	5,5	6,3
Znamionowy pobór mocy [kW]	0,27	0,40	0,67	0,81	0,27	0,40	0,67	0,81
IP	21							
Przyłącze ["]	3/4							
Wydajność ⁽¹⁾ [m ³ /h]	900 - 1800	1200-2700	2000-4300	2300-5300	800-1700	1100-2600	1900-4200	2200-5200
Maks. wydajność z filtrem (Coarse 30%) ⁽¹⁾ [m ³ /h]	1600	2400	3900	4800	1500	2300	3800	4700
Poziom ciśnienia akustycznego ⁽²⁾ [dB(A)]	42-60	43-61	45-63	46-64	41-59	42-60	44-62	45-63
Poziom mocy akustycznej ⁽³⁾ [dB(A)]	58-76	59-77	61-79	62-80	57-75	58-76	60-78	61-79
Moc grzewcza ⁽⁴⁾ [kW]	8,1-12,9	11,8-20,5	17,1-29,0	21,4-38,0	8,7-15,2	12,7-24,1	20,6-36,7	24,7-46,6
Przyrost temp. powietrza ⁽⁴⁾ (ΔT) [°C]	26-21	29-22	25-20	27-21	32-26	34-27	31-26	33-26
Maks. ciśnienie robocze [MPa]	1,6							
Maks. temp. czynnika grzewczego [°C]	60							
Maks. temp. pracy [°C]	50							
Masa [kg]	38,5	53,3	71,7	86,8	40,0	55,6	74,8	90,3
Maks. zasięg ⁽¹⁾ [m]	3,6							

	ELiS AX45-W3R-100	ELiS AX45-W3R-150	ELiS AX45-W3R-200	ELiS AX45-W3R-250	ELiS AX45-W4R-100	ELiS AX45-W4R-150	ELiS AX45-W4R-200	ELiS AX45-W4R-250
Liczba wentylatorów	3	4	6	7	3	4	6	7
Napięcie znamionowe [V/Hz]	230/50	230/50	230/50	230/50	230/50	230/50	230/50	230/50
Znamionowy pobór prądu [A]	3,3	4,6	6,4	7,6	3,2	4,5	6,3	7,5
Znamionowy pobór mocy [kW]	0,49	0,65	0,99	1,15	0,49	0,65	0,99	1,15
IP	21							
Przyłącze ["]	3/4							
Wydajność ⁽¹⁾ [m ³ /h]	1100-2500	1500-3500	2200-5000	2400-6100	1000-2400	1400-3400	2100-4900	2300-6000
Maks. wydajność z filtrem (Coarse 30%) ⁽¹⁾ [m ³ /h]	2300	3200	4500	5500	2200	3100	4400	5400
Poziom ciśnienia akustycznego ⁽²⁾ [dB(A)]	43-61	44-62	45-64	46-65	42-60	43-61	44-63	45-64
Poziom mocy akustycznej ⁽³⁾ [dB(A)]	59-77	60-78	61-80	62-81	58-76	59-77	60-79	61-80
Moc grzewcza ⁽⁴⁾ [kW]	9,3-15,7	13,9-24,1	18,4-31,8	22,1-41,4	10,3-19,1	15,3-28,9	22,2-40,6	25,6-51,3
Przyrost temp. powietrza ⁽⁴⁾ (ΔT) [°C]	25-18	27-20	24-19	27-20	30-23	32-25	31-24	33-25
Maks. ciśnienie robocze [MPa]	1,6							
Maks. temp. czynnika grzewczego [°C]	60							
Maks. temp. pracy [°C]	50							
Masa [kg]	40,8	55,5	73,7	88,8	42,3	57,8	76,8	92,3
Maks. zasięg ⁽¹⁾ [m]	4,5							

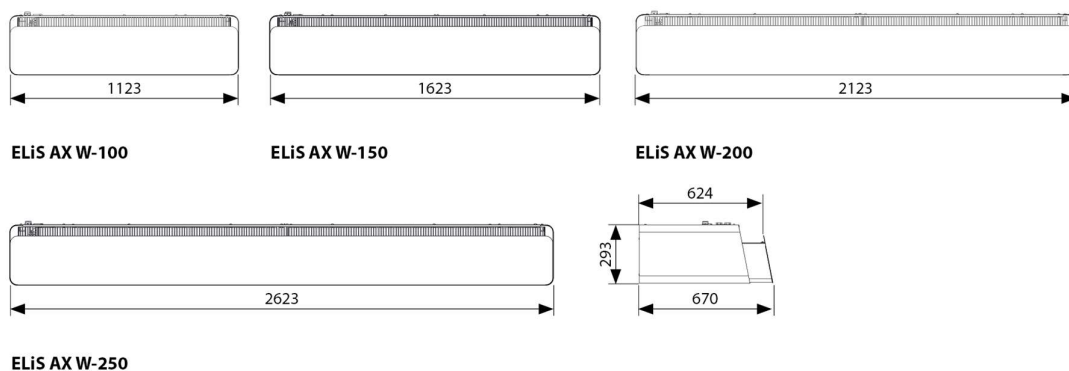
(1) Zgodnie z ISO 27327-1 (wydajność dla zakresu nastaw wentylatora 25%-100%);

(2) Poziom ciśnienia akustycznego podano dla pomieszczenia o średniej zdolności pochłaniania dźwięku, objętości 1500 m³, współczynnik kierunkowy Q=2;

(3) Zgodnie z ISO 27327-2;

(4) Zakres mocy i temperatur określony dla parametrów: nastawa wentylatora 25%, temperatura czynnika grzewczego 60/40°C, temperatura na wlocie do urządzenia 18°C - nastawa wentylatora 100%, temperatura czynnika grzewczego 60/40°C, temperatura na wlocie do urządzenia 18°C;

4. WYMIARY

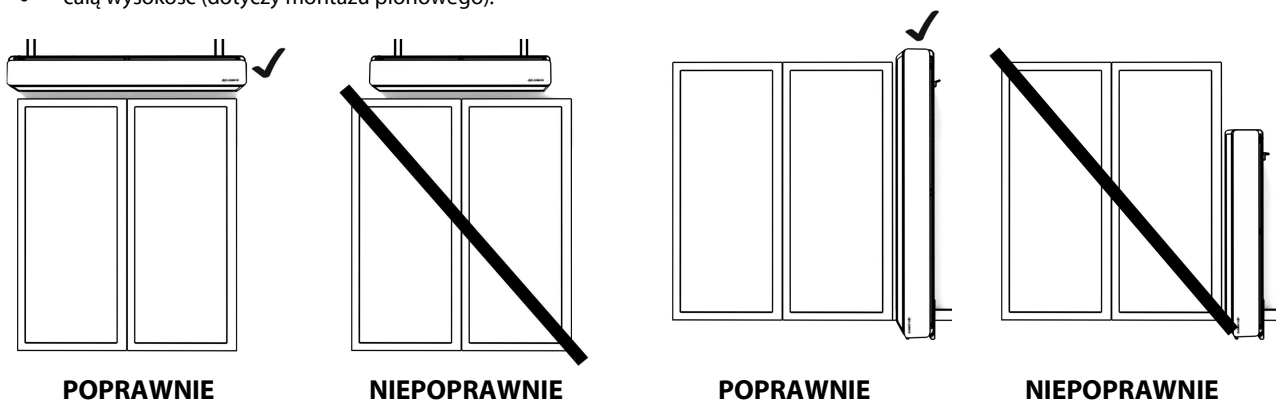


RYS. 4.1 PODSTAWOWE WYMIARY.

5. MONTAŻ

Kurтины powietrzne muszą być zamontowane jak najbliżej otworu drzwiowego i pokrywać:

- całą szerokość (dotyczy montażu poziomego),
- całą wysokość (dotyczy montażu pionowego).

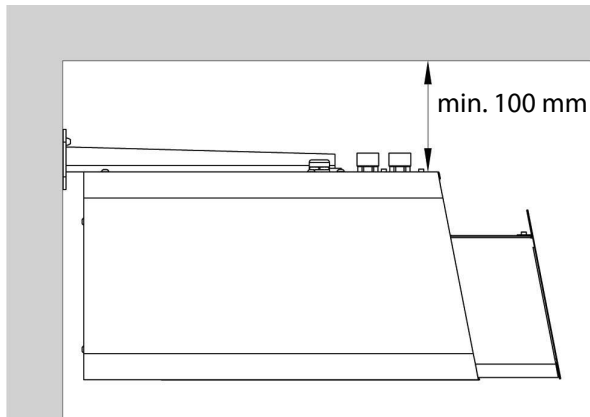


RYS. 5.1 MONTAŻ POZIOMY.

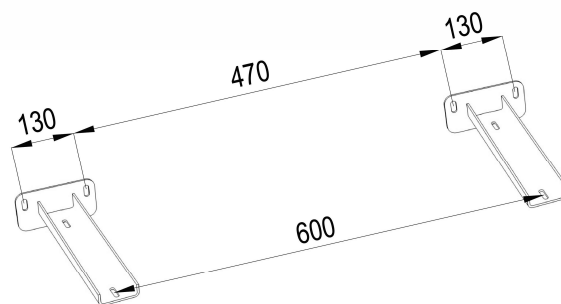
RYS. 5.2 MONTAŻ PIONOWY.

6. MONTAŻ POZIOMY

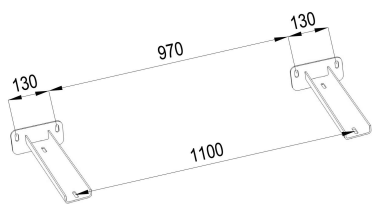
Kurtyny ELiS AX przystosowane są do montażu poziomego, za pomocą konsoli montażowych lub za pomocą szpilek gwintowanych M8. Podczas montażu należy zachować minimalne odległości od przegród przedstawione na rysunku poniżej. Przed założeniem do pracy urządzenie musi zostać wypoziomowane.



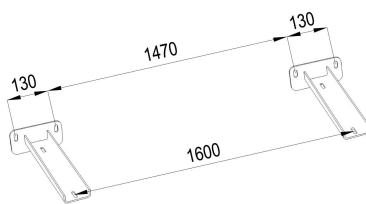
RYS. 6.1 MONTAŻ ZA POMOCĄ DEDYKOWANYCH WSPORNIKÓW.



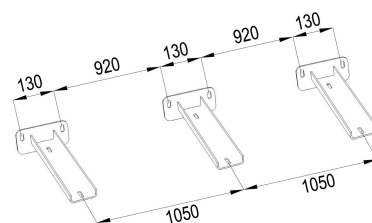
RYS. 6.2 ODLEGŁOŚCI WSPORNIKÓW DLA ELiS AX W 100.



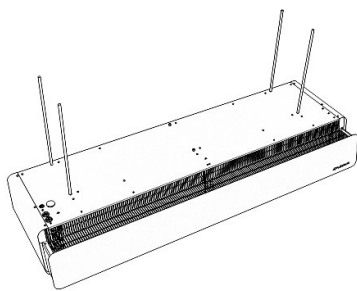
RYS. 6.3 ODLEGŁOŚCI WSPORNIKÓW DLA ELiS AX W 150.



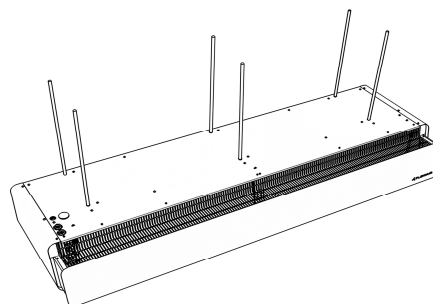
RYS. 6.4 ODLEGŁOŚCI WSPORNIKÓW DLA ELiS AX W 200.



RYS. 6.5 ODLEGŁOŚCI WSPORNIKÓW DLA ELiS AX W 250.



RYS. 6.6 INSTALACJA ZA POMOCĄ SZPILEK GWINTOWANYCH DLA ELiS AX 100/150/200.



RYS. 6.7 INSTALACJA ZA POMOCĄ SZPILEK GWINTOWANYCH DLA ELiS AX 250.

7. MONTAŻ PIONOWY



RYS. 7.1. PO LEWEJ STRONIE DRZWI.



RYS. 7.2. PO PRAWEJ STRONIE DRZWI.

PRZESTROGA



W przypadku montażu pionowego kurtryny i dolnego przyłącza wody (RYS. 7.1), odpowietrzenie wymiennika wodnego może być utrudnione. Przed uruchomieniem urządzenia należy sprawdzić, czy wymiennik wodny został napełniony wodą i odpowietrzony.

W skład zestawu do montażu pionowego kurtryny ELiS AX wchodzi:

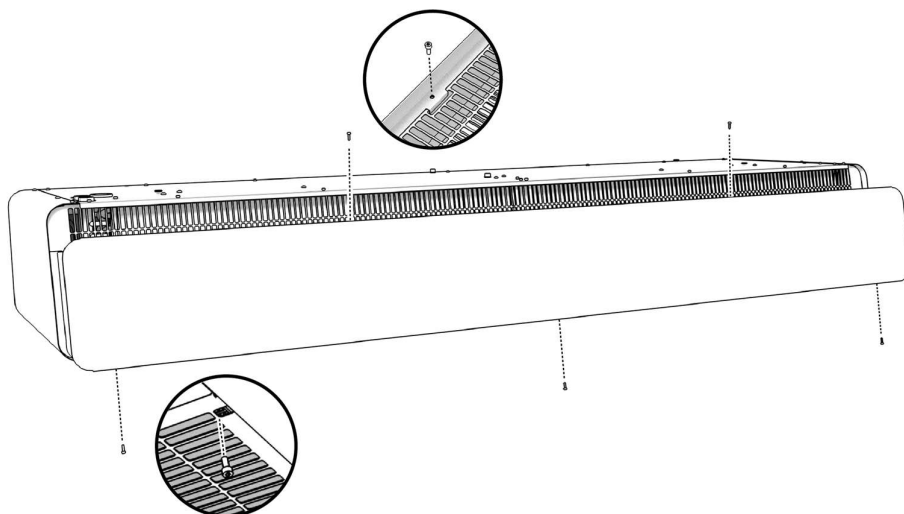
- podstawa montażowa (A) do montażu kurtryny do posadzki,
- wspornik boczny (B) do montażu kurtryny do ściany,
- wkręty metryczne M8 z podkładkami do montażu kurtryny do podstawy i wspornika bocznego (4 sztuki).

Podczas montażu należy:

- Zamocować podstawę (A) w odległości nie mniejszej niż 50 mm i nie większej niż 100 mm od ściany z drzwiami.
- Zamocować wspornik boczny (B) w odległości nie mniejszej niż 100 mm od ściany na której będzie umieszczony wspornik na szpilkach.
- Wysokość mocowania wspornika bocznego do ściany zależna jest od modelu urządzenia.

Model urządzenia	Wysokość otworów pod szpilki montażowe (litera H na poniższym schemacie)
ELiS AX 100	854 mm
ELiS AX 150	1100 mm
ELiS AX 200	1854 mm
ELiS AX 250	2354 mm

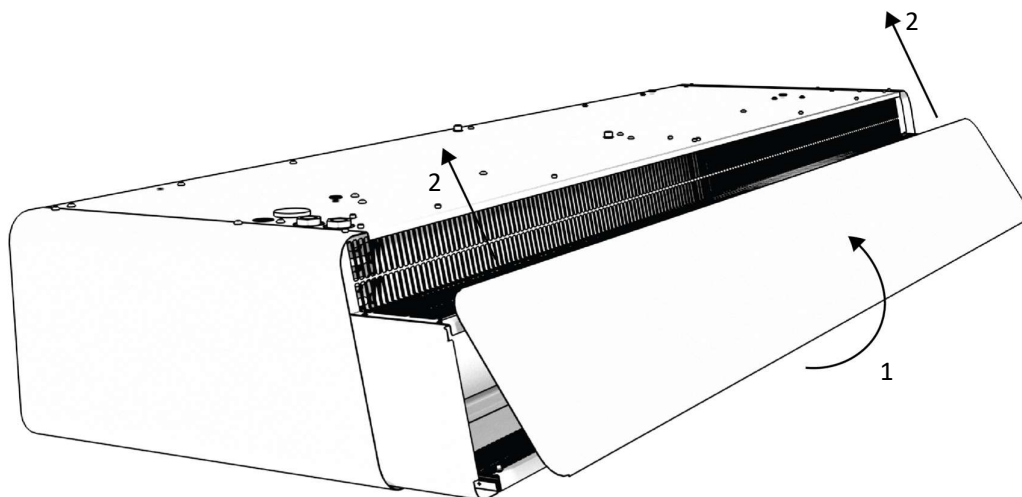
8. PODŁĄCZENIE INSTALACJI ELEKTRYCZNEJ



RYS. 8.1 POZYCJE ŚRUB.

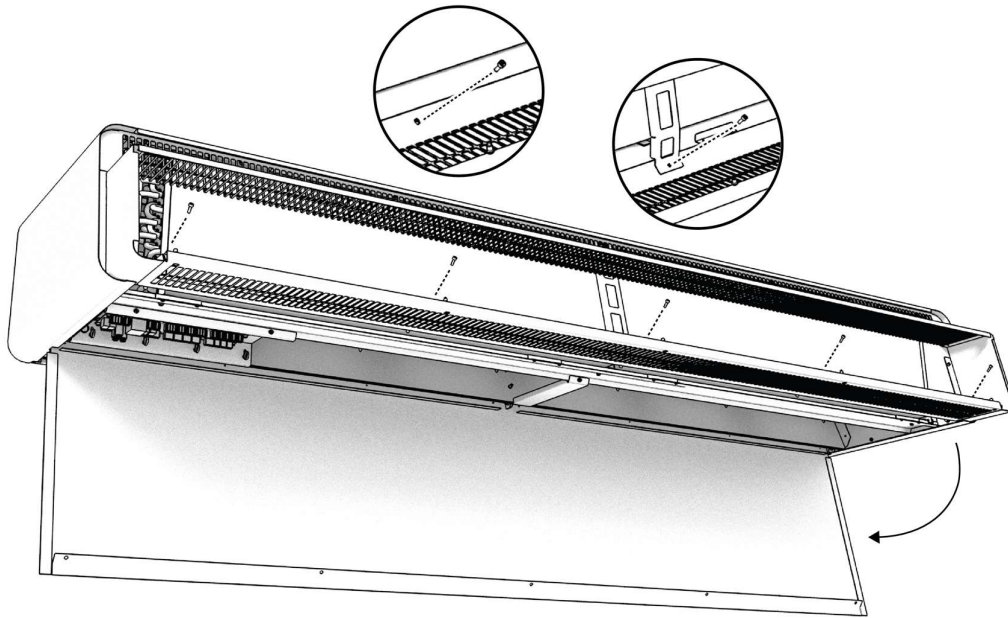
- Wykręć śruby z dołu i z góry tak jak pokazano na rysunku RYS. 8.1.
- Użyj klucza imbusowego 3.0 mm do odkręcenia śrub.
- W zależności od długości urządzenia, liczba śrub jest różna (zobacz w tabeli).

Model	Liczba śrub od góry	Liczba śrub od dołu
ELiS AX 100	1	3
ELiS AX 150	2	4
ELiS AX 200	2	5
ELiS AX 250	3	6



RYS. 8.2 ZDEJMOWANIE POKRYWY.

- Aby zdjąć pokrywę, odchyl ją (1) i wysuń z zaczepów (2), jak pokazano na rysunku RYS. 8.2.



RYS. 8.3 OTWIERANIE WŁAZU INSPEKCYJNEGO.

- Odkręć śruby wewnątrz urządzenia, aby móc otworzyć wąż inspekcyjny.
- W zależności od długości urządzenia, liczba śrub jest różna (zobacz w tabeli).

Model	Liczba śrub do wykręcenia wewnątrz
ELiS AX 100	3
ELiS AX 150	5
ELiS AX 200	5
ELiS AX 250	7

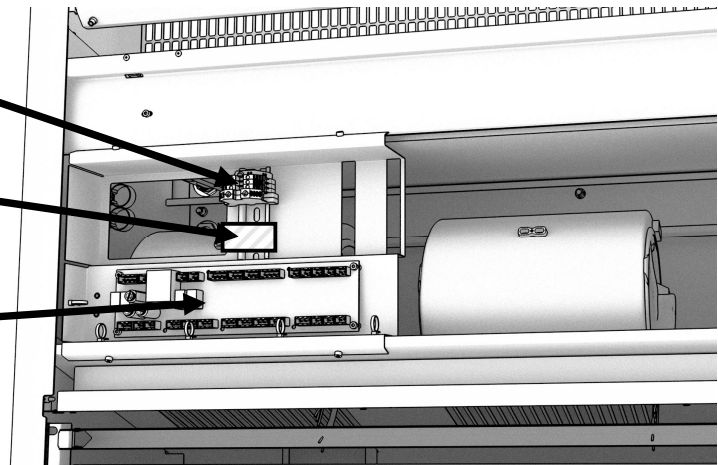
PRZESTROGA

Przytrzymaj klapę podczas odkręcania, aby zapobiec jej nagłemu otwarciu.

Miejsce podłączenia zasilania

Pozycja transformatora (opcjonalny)

Pozycja DRV ELiS AX w kurtynie

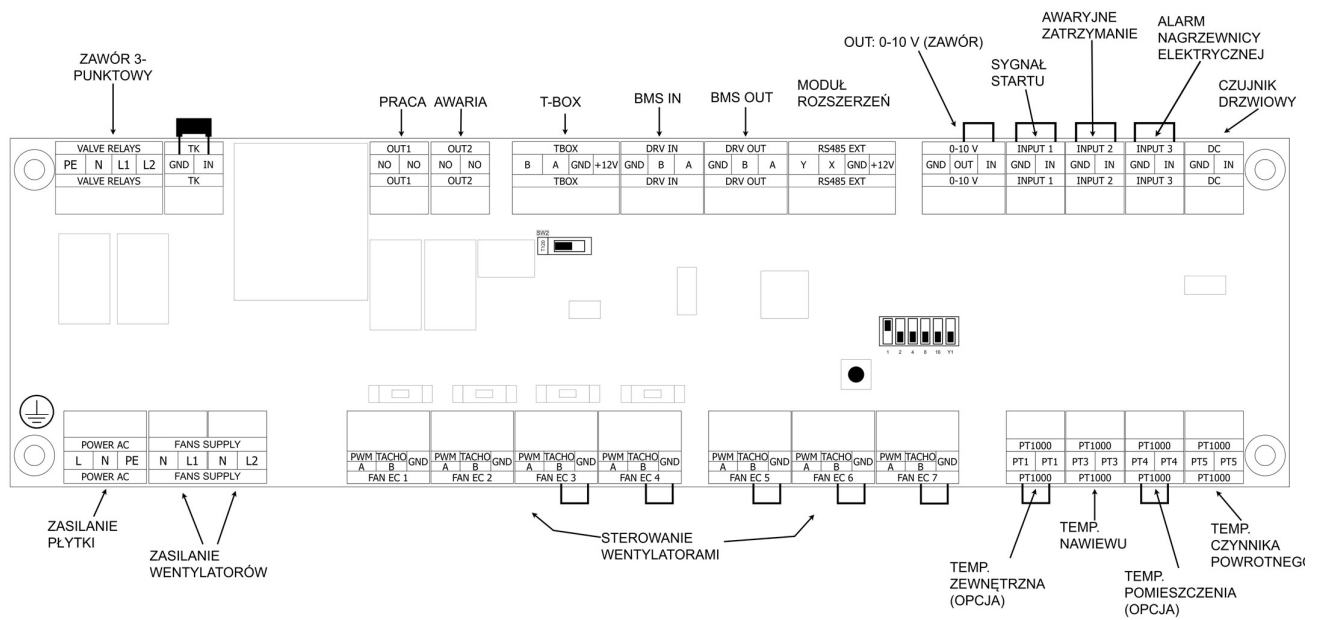


RYS. 8.4 WIDOK PODŁĄCZEŃ I DRV ELiS AX W KLAPIE REWIZYJNEJ.

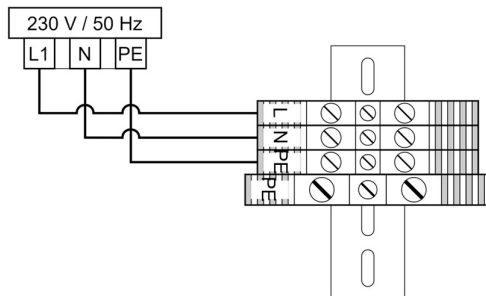
1. Podłączenie zasilania powinno być wykonane zgodnie z dokumentacją techniczną. Instalacja urządzenia powinna zawsze przebiegać w sposób zgodny z obowiązującymi lokalnymi normami bezpieczeństwa.
2. Przekrój i typ przewodu oraz zabezpieczenia powinny zostać dobrane przez projektanta. Należy zawsze upewnić się, że odłączniki i wyłączniki ochronne są odpowiednio zwymiarowane oraz odłączają wszystkie bieguny zasilania.
3. Należy upewnić się, że podłączenie zasilania oraz sterowników do kurtyny ELiS AX jest wykonane zgodnie ze specyfikacjami elektrycznymi i z instrukcjami ujętymi na schematach przyłączy w dokumentacji technicznej.
4. Przed podłączeniem zasilania należy sprawdzić, czy napięcie w sieci jest zgodne z napięciem na tabliczce znamionowej urządzenia.
5. Przed podłączeniem kurtyny powietrznej należy sprawdzić poprawność podłączenia zasilania.
6. U uruchomienie urządzenia bez podłączenia przewodu uziemiającego jest niedozwolone.
7. Należy zabezpieczyć przewód zasilający przed wyrwaniem poprzez zaciśnięcie dławnicy.
8. Należy odpowiednio mocno dokręcić wszystkie przewody przyłączeniowe w kostce.
9. Nie należy uruchamiać urządzenia z otwartą klapą serwisową.

OSTRZEŻENIE

9. PODŁĄCZENIE KOMPONENTÓW



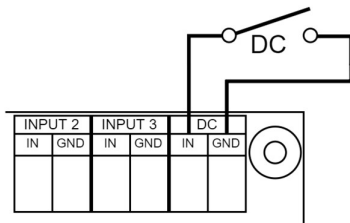
RYS. 9.1 OGÓLNY WYGLĄD DRV ELIS EC.



RYS. 9.2 ZASILANIE.

Przekrój przewodów:

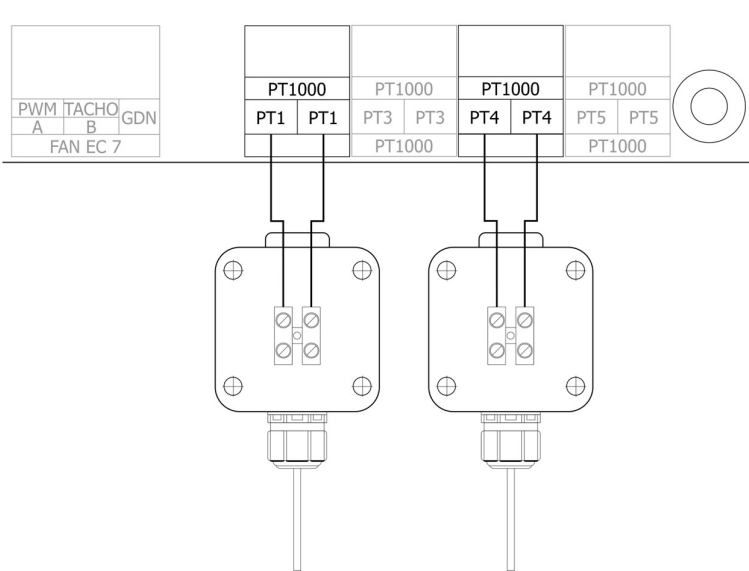
- min. 3x1,5 mm²
- Zabezpieczenie B10



RYS. 9.3 PODŁĄCZENIE CZUJNIKA DRZWIOWEGO.

Przekrój przewodów:

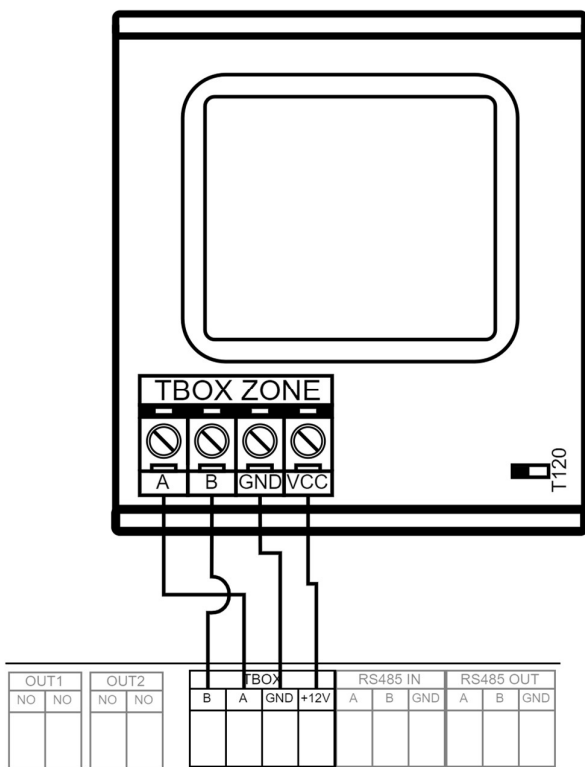
- min. 2x0,5 mm²



Czujniki temperatury PT1 i PT4 są opcjonalne.

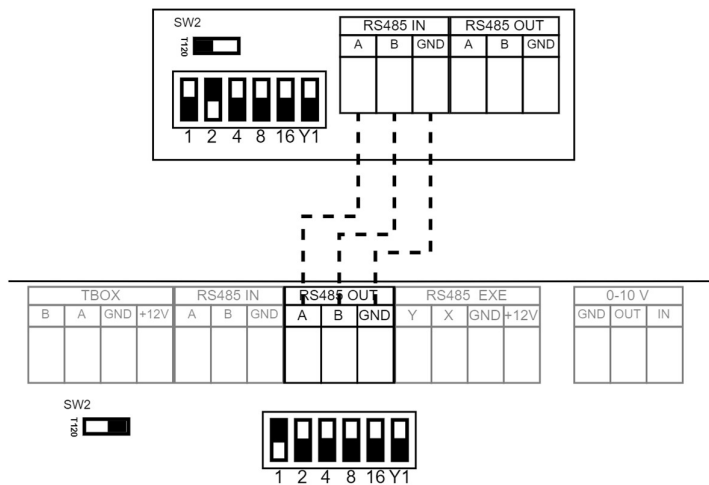
Przekrój przewodów:
 • 2x0,5mm²

RYS. 9.4 PODŁĄCZENIE CZUJNIKÓW PT-1000.



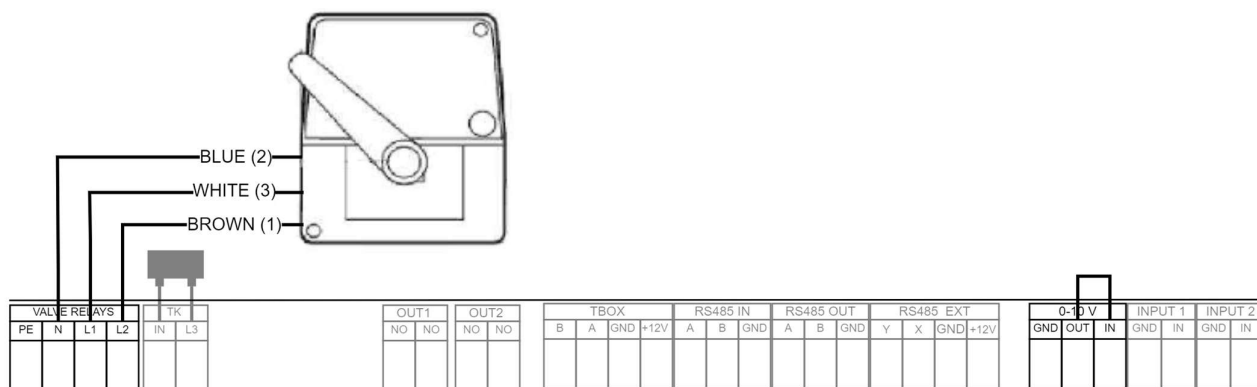
Przekrój przewodów:
 • LIYY-P min. 2x2x0,5mm²

RYS. 9.5 PODŁĄCZENIE T-BOX ZONE.



RYS. 9.6 ŁĄCZENIE DRV.

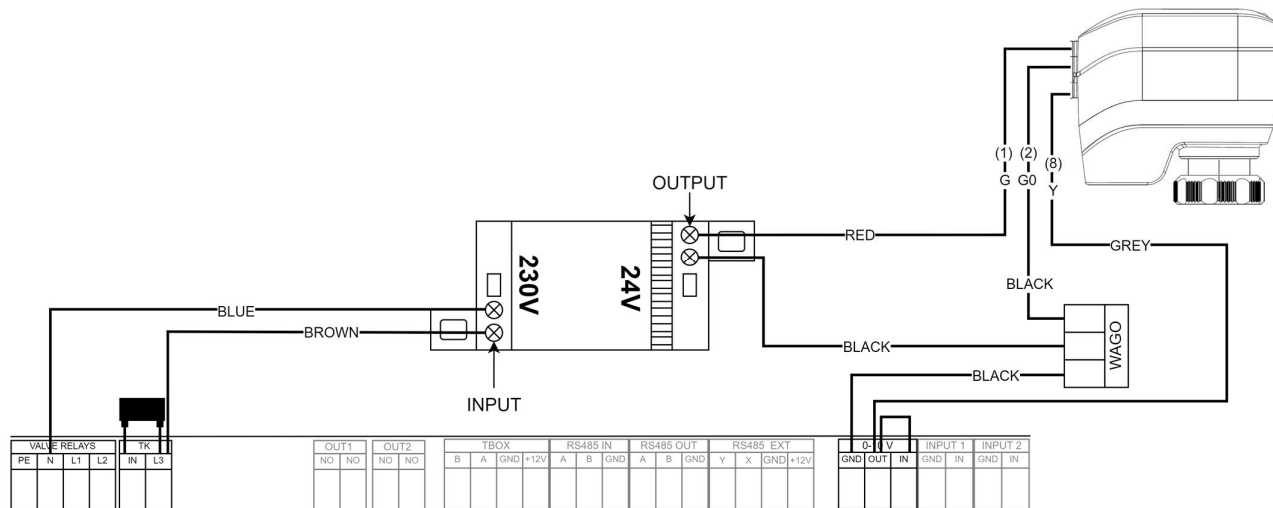
Przekrój przewodów:
 • LIYY-P min. 2x2x0,5mm²



RYS. 9.7 PODŁĄCZENIE ZAWORU 3-DROGOWEGO Z SIŁOWNIKIEM 3-POZYCYJNYM SRX3D (3P).

Zestaw sprzedawany osobno.

Przekrój przewodów: 3x0,75mm²

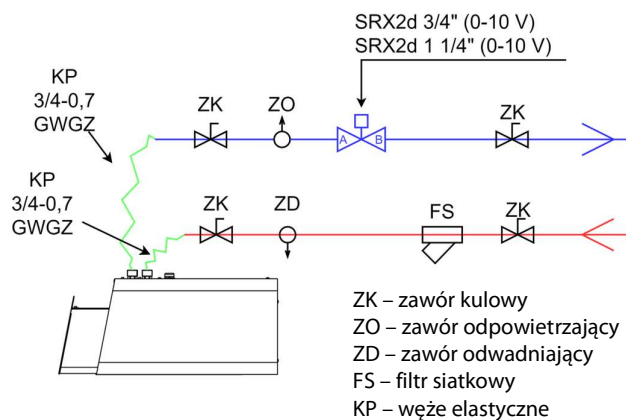


RYS. 9.8 PODŁĄCZENIE ZAWORU 2-DROGOWEGO Z SIŁOWNIKIEM SRX2D (PŁYNNA MODULACJA 0-10 V).

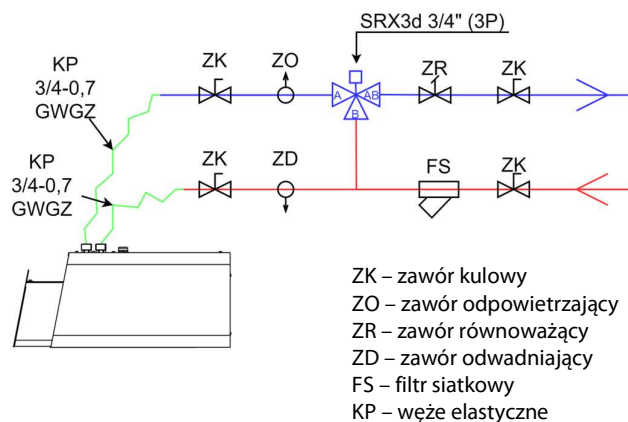
Zestaw zaworu zawiera siłownik, transformator oraz komplet przewodów do podłączenia jak pokazano na RYS. 9.8.

Zestaw sprzedawany osobno.

10. PODŁĄCZENIE INSTALACJI HYDRAULICZNEJ



RYS. 10.1 PRZYKŁADOWE PODŁĄCZENIE SRX2D.



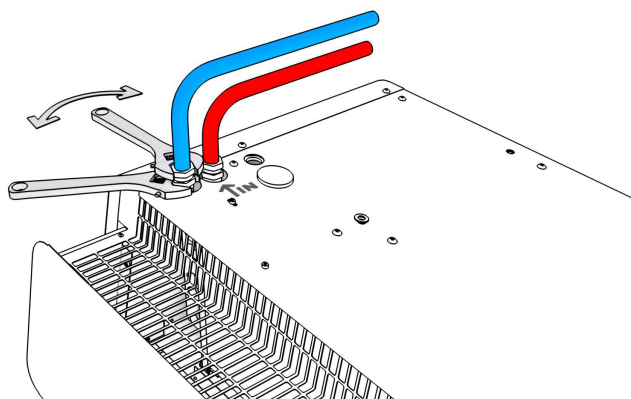
RYS. 10.2 PRZYKŁADOWE PODŁĄCZENIE SRX3D.

PARAMETRY ZAWORÓW SRX:

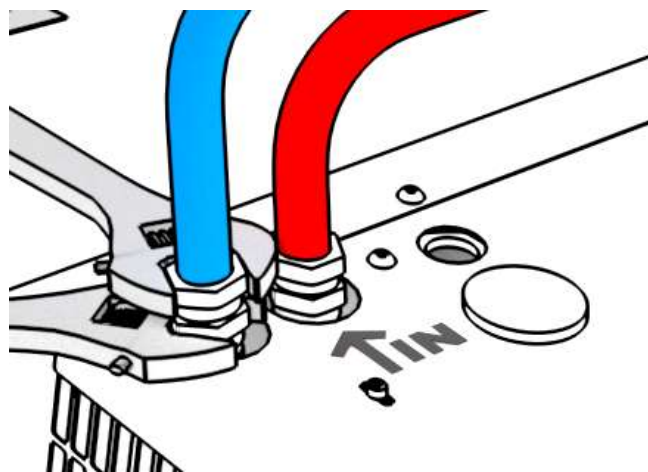
- **SRX2d 3/4"** – zawór dwudrogowy 3/4" z siłownikiem (płynna modulacja 0-10 V)
- **SRX2d 1 1/4"** – zawór dwudrogowy 1 1/4" z siłownikiem (płynna modulacja 0-10 V)
- **SRX3d 3/4"** – zawór 3-drogowy 3/4" z siłownikiem (modulacja 3-punktowa)

- **SRX2d:**
Klasa ochrony: IP54,
Napięcie znamionowe siłownika: AC/DC 24 V,
(Napięcie znamionowe transformatora: 230 V), 50 Hz,
Maks. temperatura czynnika: +120°C,
Maks. ciśnienie robocze: 2,5 MPa,
SRX2d 3/4": Zakres przepływu wody: 220 – 1330 l/h,
SRX2d 1 1/4": Zakres przepływu wody: 550 – 4001 l/h

- **SRX3d:**
Klasa ochrony: IP40,
Napięcie znamionowe siłownika: AC 230 V/50 Hz,
Maks. temperatura czynnika: +120°C,
Maks. ciśnienie robocze: 1,0 MPa,
SRX3d 3/4": Kvs: 6,3 m³/h,
Czas zamknięcia: 140 s



RYS. 10.3 KONTROWANIE.



RYS. 10.4 MIEJSCE DOPROWADZENIA CZYNNIKA.

UWAGA



1. Przed podłączeniem instalacji wodnej należy odłączyć zasilanie kurtyny.
2. Przyłącze powinno być wykonane w sposób niepowodujący naprężeń. Zalecane jest stosowanie przewodów elastycznych doprowadzających czynnik grzewczy.
3. Zasilanie wody należy podłączyć do króćca oznaczonego symbolem ↑ IN.
4. Instalacja z czynnikiem grzewczym musi być zabezpieczona przed wzrostem ciśnienia czynnika grzewczego ponad dopuszczalną wartość (1,6 MPa).
5. Przed uruchomieniem urządzenia należy sprawdzić prawidłowość podłączenia przewodów z czynnikiem grzewczym oraz szczelność instalacji.
6. Podczas montażu instalacji należy bezwzględnie unieruchomić króćce przyłączeniowe wymiennika (RYS. 10.3).
7. Po napełnieniu układu czynnikiem, należy sprawdzić szczelność połączeń hydraulicznych w tym wbudowanego odpowietrznika.

PORADA



1. Zalecane jest zastosowanie zaworów odpowietrzających w najwyższym punkcie instalacji.
2. W przypadku, gdy woda z urządzenia zostaje spuszczone na dłuższy czas, rurki wymiennika należy przedmuchać sprężonym powietrzem.
3. Instalacja powinna być wykonana w taki sposób, aby w razie awarii istniała możliwość przeprowadzenia demontażu urządzenia (zalecane użycie przewodów elastycznych). W tym celu należy zastosować zawory odcinające tuż przy urządzeniu.

11. PARAMETRY CZYNNIKA GRZEWczego

Wodny wymiennik ciepła można zasilać wodą lub roztworami glikolu o stężeniu do 60%. Rurki wymiennika ciepła są wykonane z miedzi. Medium zasilające nie powinno powodować korozji tego materiału. W szczególności należy zapewnić parametry jak poniżej w tabeli.

Parametr	Wartość
pH	7,5-9,0
Zanieczyszczenia	brak osadów, cząstek
Całkowita twardość	[Ca ²⁺ ,Mg ²⁺]/ [HCO ₃ ⁻] > 0.5
Olej i smar	<1 mg/l
Tlen	<0.1mg/l
HCO ³	60-300 mg/l
Amoniak	< 1.0 mg/l
Siarczki	< 0.05 mg/l
Chlorki, Cl	<100 mg/l

12. EKSPLOATACJA

1. Urządzenie musi podlegać okresowym przeglądom. Czynności te powinny być wykonane wyłącznie przez wykwalifikowany personel. Przy nieprawidłowej pracy urządzenia należy je niezwłocznie wyłączyć i skontaktować się ze WSPARCIEM SERWISOWYM firmy FLOWAIR.
2. Nie należy podejmować samodzielnych prób naprawy, przeniesienia, modyfikacji ani ponownej instalacji urządzenia. Wykonywanie tych czynności przez nieupoważniony do tego personel może stać się przyczyną porażenia prądem elektrycznym lub pożaru.
3. Nie wolno używać uszkodzonego urządzenia. Producent nie bierze odpowiedzialności za szkody wynikłe podczas użytkowania uszkodzonego urządzenia.
4. Urządzenie przeznaczone jest do pracy wewnątrz pomieszczeń, w temperaturach powyżej 0°C. W niskich temperaturach (poniżej 0°C) istnieje niebezpieczeństwo zamarznięcia czynnika.
5. **Producent nie ponosi odpowiedzialności za uszkodzenia wymiennika ciepła będące skutkiem zamarznięcia czynnika w wymienniku.**

UWAGA



13. CZYSZCZENIE I KONSERWACJA

Okresowo należy sprawdzać stan zabrudzenia wymiennika ciepła (nie rzadziej niż raz w roku). Zapchanie części wlotu powietrza powoduje spadek mocy grzewczej urządzenia oraz niekorzystnie wpływa na pracę wentylatorów.

Czyszczenie wymiennika należy wykonać stosując się do poniższych wytycznych:

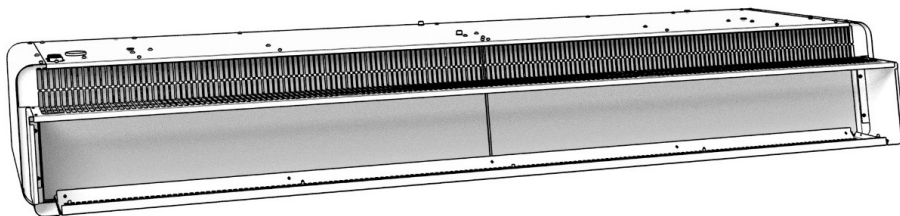
- Na czas przeprowadzania czyszczenia należy odłączyć zasilanie elektryczne.
- Należy otworzyć klapę serwisową.
- Podczas czyszczenia wymiennika należy uważać, aby nie pozaginać aluminiowych lamel.
- Nie zaleca się używania ostrych przedmiotów do czyszczenia, ze względu na możliwość uszkodzenia lamel.
- Zaleca się czyszczenie sprężonym powietrzem.
- Nie dopuszcza się czyszczenia wymiennika wodą!
- Czyszczenie należy wykonywać ruchami wzdłuż lamel, kierując dyszę nadmuchową prostopadle do wymiennika.

PORADA



14. MONTAŻ FILTRA

Kurtyny ELiS AX mogą pracować z filtrem ISO COARSE 30% montowanym przed wymiennikiem, wewnątrz urządzenia.



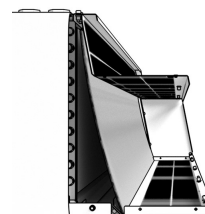
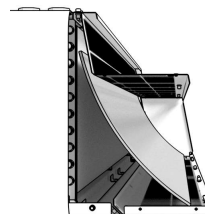
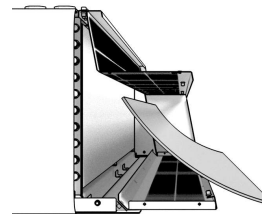
RYS. 14.1 FILTR W URZĄDZENIU

Montaż:

1. Odłącz zasilanie.
2. Odkręć pokrywę RYS. 8.1.
3. Zdejmij pokrywę RYS. 8.2.
4. Wsuń filtr między wymiennik a obudowę RYS. 14.2.
5. Załóż tylną pokrywę i przykręć.

Filtr sprzedawany osobno.

Filtr jest elastyczny i dopasuje się samoczynnie, blokując po obu stronach urządzenia. Aby zdemontować/wymienić filtr, należy wyciągnąć go z urządzenia lekko wyginając. Filtr należy wymieniać okresowo w zależności od stopnia zabrudzenia. Należy zawsze używać oryginalnych filtrów.



RYS. 14.2 INSTALACJA FILTRA.

15. ZGODNOŚĆ Z DYREKTYWĄ WEEE 2012/19/UE

Prowadzenie działalności bez szkody dla środowiska i przestrzeganie zasad prawidłowego postępowania ze zużyтым sprzętem elektrycznym i elektronicznym to dla firmy FLOWAIR priorytet.

Jako producent takich urządzeń współpracujemy z organizacją Odzysku Sprzętu Elektrycznego i Elektronicznego z firmą Elektro-System.

Symbol przekreślonego kosza na śmieci umieszczany na sprzęcie, opakowaniu lub dokumentach do niego dołączonych oznacza, że produktu nie wolno wyrzucać łącznie z innymi odpadami. Obowiązkiem użytkownika jest przekazanie zużytego sprzętu do wyznaczonego punktu zbiórki w celu właściwego jego przetworzenia. Oznakowanie oznacza jednocześnie, że sprzęt został wprowadzony do obrotu po dniu 13 sierpnia 2005 r.



Informacja o systemie zbierania zużytego sprzętu elektrycznego i elektronicznego.

Mogą Państwo:

- oddać elektrośmieci nie wychodząc z domu i nie ponosząc żadnych kosztów. Electro-System wspólnie z REMONDIS stworzył usługę bezpłatnego odbioru wielkogabarytowego sprzętu elektrycznego i elektronicznego. Więcej informacji na stronie www.decdujesz.pl
- zostawić zużyty sprzęt w sklepie, w którym kupowane jest nowe urządzenie - dotyczy sprzętu tego samego rodzaju i pełniącego tą samą funkcję.
- odnieść zużyty sprzęt do punktu zbierania. Informację o najbliższej lokalizacji można znaleźć na gminnej stronie internetowej lub tablicy ogłoszeń urzędu gminy.
- zostawić sprzęt w punkcie serwisowym. Jeżeli naprawa sprzętu jest nieopłacalna lub niemożliwa ze względów technicznych, serwis jest zobowiązany do nieodpłatnego przyjęcia tego urządzenia.

PAMIĘTAJMY:

Nie wolno wyrzucać zużytego sprzętu łącznie z innymi odpadami! Grożą za to kary pieniężne. Odpowiednie postępowanie ze zużyтым sprzętem zapobiega potencjalnym negatywnym konsekwencjom dla środowiska naturalnego i ludzkiego zdrowia. Jednocześnie oszczędzamy naturalne zasoby naszej Ziemi, wykorzystując powtórnie surowce uzyskane z przetwarzania sprzętu.

16. WARUNKI SERWISU I GWARANCJI

W razie jakichkolwiek nieprawidłowości w działaniu urządzenia prosimy o kontakt z działem serwisu producenta.

Warunki gwarancji:

Klient ma prawo w ramach gwarancji do bezpłatnej naprawy urządzenia w wypadku wady ujawnionej w okresie trwania gwarancji.

1. Klient ma prawo w ramach gwarancji do wymiany urządzenia lub jego elementu na nowy produkt, wolny od wad, tylko wtedy gdy w okresie gwarancji producent stwierdzi, iż usunięcie wady nie jest możliwe.
2. Dowód zakupu stanowi dla użytkownika podstawę do wystąpienia o bezpłatne wykonanie naprawy.
3. W przypadku bezpodstawnego wezwania do naprawy gwarancyjnej koszty z tym związane w pełnej wysokości ponosić będzie użytkownik.
4. Gwarancja przysługuje przez okres 24 kolejnych miesięcy od daty zakupu.
5. Gwarancja jest ważna wyłącznie na terytorium Rzeczypospolitej Polskiej.
6. W celu wykonania naprawy gwarancyjnej użytkownik jest zobowiązany do dostarczenia reklamowanego urządzenia do producenta.
7. Producent zastrzega sobie prawo do rozpatrzenia i naprawy urządzenia w ciągu 14 dni roboczych od dnia dostarczenia urządzenia do producenta.
8. W przypadku, gdy wada nie ma charakteru trwałego i jej ustalenie wymaga dłuższej diagnozy producent zastrzega sobie prawo przedłużenia terminu rozpatrzenia gwarancji określonego w punkcie 7. O konieczności przedłużenia terminu potrzebnego do rozpatrzenia gwarancji producent zawiadomi przed upływem 14-tego dnia, liczonego od dnia dostarczenia reklamowanego urządzenia.
9. Producent może wysłać zastępcze urządzenie na życzenie klienta w czasie rozpatrywania gwarancji. Na wysłany, nowy towar wystawiana jest faktura, do której klient otrzyma korektę w przypadku pozytywnego rozpatrzenia reklamacji.
10. W przypadku stwierdzenia, że usterka wynika z powodu użytkowania urządzenia niezgodnie z wytycznymi producenta lub reklamowane urządzenie okazało się w pełni sprawne – gwarancja nie zostanie uznana, a zgłaszający będzie musiał dokonać zapłaty za urządzenie zastępcze zgodnie z wystawioną fakturą.

Ograniczenia gwarancji:

1. W skład świadczeń gwarancyjnych nie wchodzi: montaż i instalacja urządzeń, prace konserwacyjne, usuwanie usterek spowodowanych brakiem wiedzy na temat obsługi urządzenia.

2. Gwarancja nie obowiązuje w przypadku wystąpienia niżej wymienionych usterek:

- uszkodzenia lub zniszczenia produktu powstałe w rezultacie niewłaściwej eksploatacji, postępowania niezgodnego z zaleceniami normalnego użycia lub niezgodnego z dostarczoną z urządzeniem dokumentacją techniczną,
- wad powstałych na skutek montażu urządzeń niezgodnie z dokumentacją techniczną,
- wady powstałe na skutek niezgodnego z zaleceniami w dokumentacji technicznej fizycznego lub elektrycznego oddziaływania, przegrzania lub wilgoci albo warunków środowiskowych, zamknięcia, korozji, utleniania, uszkodzenia lub wahań napięcia elektrycznego, pioruna, pożaru lub innej siły wyższej powodującej zniszczenia lub uszkodzenia produktu,
- mechaniczne uszkodzenia lub zniszczenia produktów i wywołane nimi wady,
- uszkodzenia powstałe na skutek niewłaściwego transportowania lub zapakowania produktu przesyłanego do punktu sprzedaży. Klient ma obowiązek sprawdzenia towaru przy odbiorze. W razie stwierdzenia usterek klient jest zobowiązany poinformować o nich producenta oraz spisać protokół uszkodzeń u przewoźnika,
- wad powstałych na skutek normalnego zużycia materiałów wynikających z normalnej eksploatacji.

Wyprodukowano w Polsce

Made in EU

Producent: FLOWAIR SP. Z O.O.

ul. Chwaszczyńska 135, 81-571 Gdynia

e-mail: info@flowair.pl

www.flowair.com

