



ELiS G E-150 | E-200 | E-250 | W-150 | W-200 | W-250 | N-150 | N-200 | N-250 | W-150 2R |
W-200 2R

EN **AIR CURTAIN**
DOKUMENTACJA TECHNICZNA

PL **KURTYNA POWIETRZNA**
DOKUMENTACJA TECHNICZNA

RU **ВОЗДУШНАЯ ЗАВЕСА**
ТЕХНИЧЕСКАЯ ДОКУМЕНТАЦИЯ

TECHNICAL DOCUMENTATION:**EN**

1.	IMPORTANT INFORMATION.....	4
2.	GENERAL INFORMATION	5
3.	CONSTRUCTION	5
4.	TECHNICAL DATA ELiS G W.....	6
5.	TECHNICAL DATA ELiS G N/E	7
6.	DIMENSIONS.....	8
7.	INSTALLATION	8
8.	MOUNTING - RECOMMENDED DISTANCES	9
9.	CONNECTING OF ELECTRICAL INSTALLATION	10
10.	CONTROL – CONNECTION DIAGRAM ELiS G-E 150; G-E 200.....	11
11.	CONTROL – CONNECTION DIAGRAM ELiS G-E 250	12
12.	CONTROL – CONNECTION DIAGRAM ELiS G-N-150; G-W-150; G-W-150 2R; G-N-200; G-W-200; G-W-200 2R.....	13
13.	CONTROL – CONNECTION DIAGRAM ELiS G-N-250; G-W-250	14
14.	CONTROL - DRV ELiS + T-BOX	15
15.	CONTROLS - OPTIONAL ELEMENTS	15
16.	ADJUSTMENT OF OUTLET GRILL.....	16
17.	CONNECTION OF HYDRAULIC INSTALLATION	16
18.	PARAMETERS OF THE HEATING MEDIUM	16
19.	OPERATION	17
20.	CLEANING AND MAINTENANCE.....	17
21.	CONFORMITY WITH WEEE 2012/19/UE.....	17
22.	SERVICE AND WARRANTY TERMS.....	17

DOKUMENTACJA TECHNICZNA**PL**

1.	WAŻNE INFORMACJE.....	18
2.	INFORMACJE OGÓLNE.....	19
3.	BUDOWA.....	19
4.	DANE TECHNICZNE ELiS G W	20
5.	DANE TECHNICZNE ELiS G N/E.....	21
6.	WYMIARY	22
7.	MONTAŻ.....	22
8.	MONTAŻ – ZALECANE ODLEGŁOŚCI.....	23
9.	PODŁĄCZENIE INSTALACJI ELEKTRYCZNEJ	24
10.	STEROWANIE - SCHEMAT PODŁĄCZENIA ELiS G-E 150; G-E 200.....	25
11.	STEROWANIE - SCHEMAT PODŁĄCZENIA ELiS G-E 250	26
12.	STEROWANIE - SCHEMAT PODŁĄCZENIA ELiS G-N-150; G-W-150; G-W-150 2R; G-N-200; G-W-200; G-W-200 2R.....	27
13.	STEROWANIE - SCHEMAT PODŁĄCZENIA ELiS G-N-250; G-W-250	28
14.	STEROWANIE - DRV ELiS + T-BOX	29
15.	ELEMENTY AUTOMATYKI.....	29
16.	REGULACJA KRATKI WYLOTOWEJ.....	30
17.	PODŁĄCZENIE INSTALACJI HYDRAULICZNEJ	30
18.	PARAMETRY CZYNNIKA GRZEWCZEGO	30
19.	EKSPLOATACJA.....	31
20.	CZYSZCZENIE I KONSERWACJA.....	31
21.	ZGODNOŚĆ Z DYREKTYWĄ WEEE 2012/19/UE.....	31

1.	ВАЖНАЯ ИНФОРМАЦИЯ.....	32
2.	ОБЩАЯ ИНФОРМАЦИЯ	33
3.	КОНСТРУКЦИЯ	33
4.	ТЕХНИЧЕСКИЕ ДАННЫЕ ELiS G W.....	34
5.	ТЕХНИЧЕСКИЕ ДАННЫЕ ELiS G N/E	35
6.	ГАБАРИТЫ.....	36
7.	УСТАНОВКА.....	36
8.	МОНТАЖ - РЕКОМЕНДУЕМЫЕ РАССТОЯНИЯ	37
9.	ЭЛЕКТРИЧЕСКОЕ ПОДКЛЮЧЕНИЕ	38
10.	УПРАВЛЕНИЕ - СХЕМА ПОДКЛЮЧЕНИЯ ELiS G-E 150; G-E 200	39
11.	УПРАВЛЕНИЕ - СХЕМА ПОДКЛЮЧЕНИЯ ELiS G-E 250.....	40
12.	УПРАВЛЕНИЕ - СХЕМА ПОДКЛЮЧЕНИЯ ELiS G-N-150; G-W-150; G-W-150 2R; G-N-200; G-W-200; G-W-200; G-W-200 2R .	41
13.	УПРАВЛЕНИЕ - СХЕМА ПОДКЛЮЧЕНИЯ ELiS G-N-250; G-W-250.....	42
14.	УПРАВЛЕНИЕ - DRV ELiS + T-BOX	43
15.	ЭЛЕМЕНТЫ УПРАВЛЕНИЯ	43
16.	РЕГУЛИРОВКА ВЫПУСКНОЙ РЕШЕТКИ	44
17.	ПОДКЛЮЧЕНИЕ ГИДРАВЛИЧЕСКОЙ УСТАНОВКИ.....	44
18.	ПАРАМЕТРЫ ТЕПЛОНОСИТЕЛЯ	44
19.	ЭКСПЛУАТАЦИЯ	45
20.	ОЧИСТКА И ОБСЛУЖИВАНИЕ.....	45
21.	СБОР ОТХОДОВ ЭЛЕКТРОННОГО И ЭЛЕКТРИЧЕСКОГО ОБОРУДОВАНИЯ	45

1. IMPORTANT INFORMATION

We have made every effort to make this manual as easy to understand as possible. However, if you have any difficulties, problems or questions, please contact FLOWAIR support at: info@flowair.pl

Also visit our website www.flowair.pl where you will find mounting tips.

In this manual you will find important safety information and tips marked as below:



WARNING

- Dangerous practices which may result in serious injury or death. Read all warnings before starting work.



CAUTION

- Unsafe practices which, if not avoided, may result in damage to property or minor injuries. Before starting work, read all cautions.



ADVICE

- Useful tips for the user and installer.

IMPORTANT SAFETY INFORMATION:



ADVICE

1. Before installing, connecting, starting up, using and maintaining the device, please read this manual completely.
2. After receiving the product, check that it has not been damaged during transport. If the product appears to be damaged, DO NOT START TO MOUNT THE DEVICE; instead, you must immediately report the damage to the carrier.
3. The device must be mounted in a stable way and in accordance with the instructions, in a place that can be easily accessed, thus ensuring the possibility of carrying out repairs and routine maintenance, as well as allowing easy and safe disassembly of the device.
4. The stability and durability of installation of the device depends on the structure of the building (in particular walls and ceilings). The person performing the assembly should take these conditions into account when mounting the device.
5. The technical documentation should be kept in a safe place, easily accessible to the user and service technician.
6. The nameplate is located on one of the nozzles.
7. Always test the operation of the device after installation.
8. The device should not be installed directly under the wall socket



CAUTION

1. The power connection shall be performed only by an authorized person.
2. The device is not equipped with a thermostat that controls the room temperature. Do not use the device in small rooms where there are people who are not able to leave the premises alone. Above mentioned does not apply to rooms with constant supervision.
3. The device requires periodic inspections in accordance with the instructions in this manual.
4. Do not hang/put pressure on the device.
5. Do not place any objects on the device or hang anything on the connection stubs.
6. The **product should be stored and assembled out** of the reach of small children.
7. The device is dedicated to work indoors with a maximum air dustiness of 0.3 g / m³. The device has elements made of aluminum, copper and galvanized steel and cannot be used in an corrosive environment.
8. Equipment cannot be used in an environment where oil mist is present.
9. This equipment may be used by children that are at least 8 years old, by persons with reduced physical and mental abilities and persons with no experience and knowledge of the equipment, on condition that the supervision or instruction regarding correct use of the equipment in a safe manner is provided and the possible threats are understood. The device cannot be used by children to play. Unattended children should not clean or maintain the equipment.
10. The device in electric version (ELiS G-E) may give off a smell of burning dust at first start up or if it is starting after a long standstill.



WARNING

1. The device is powered by dangerous voltage. Always disconnect the device from the power supply before servicing or accessing its internal components.
2. Do not insert your fingers or any objects inside the device.
3. Do not cover the device.

2. GENERAL INFORMATION

ELiS G air curtain is a high-quality device that, by creating an air barrier, reduces heat losses. The device is dedicated ONLY for indoor use. The ELiS G air curtain is intended for horizontal installation above a door opening or vertical installation with a door opening with a maximum height of 8,0 m.

The air curtain is available in a cold/ambient version (without heating), with electric heaters or with a water heat exchanger:

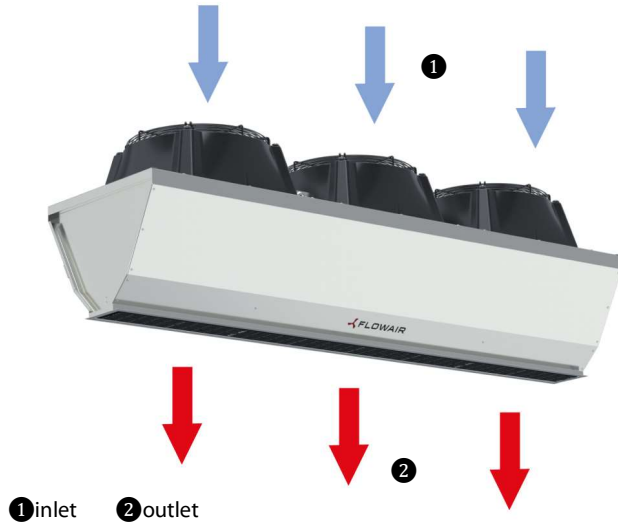
ELiS G E-150; ELiS G E-200; ELiS G E-250 - air curtains with electric heaters with a maximum range of 7,5 m*;

ELiS G W-150; ELiS G W-200; ELiS G W-250 – air curtains with a 1-row water heat exchanger with a maximum range 7,5 m*;

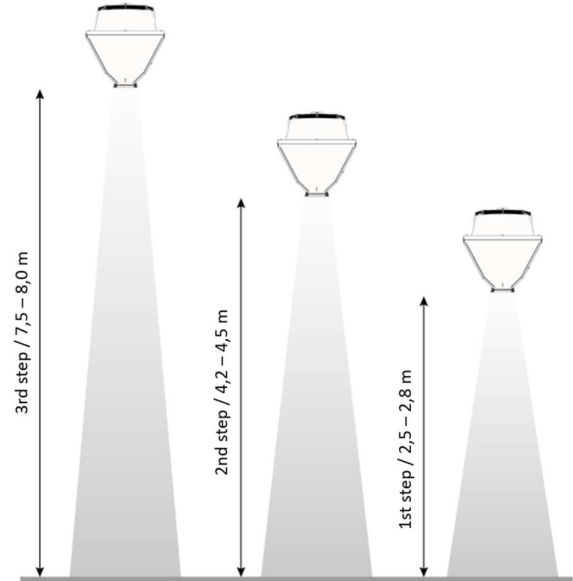
ELiS G W-150 2R; ELiS G W-200 2R – air curtains with a 2-rows water heat exchanger with a maximum range 7,5 m*;

ELiS G N-150; ELiS G N-200; ELiS G N-250 – ambient air curtains without with a maximum range 8,0 m*.

* according to ISO 27327-1



PIC. 2.1 DIRECTION OF AIR FLOW.

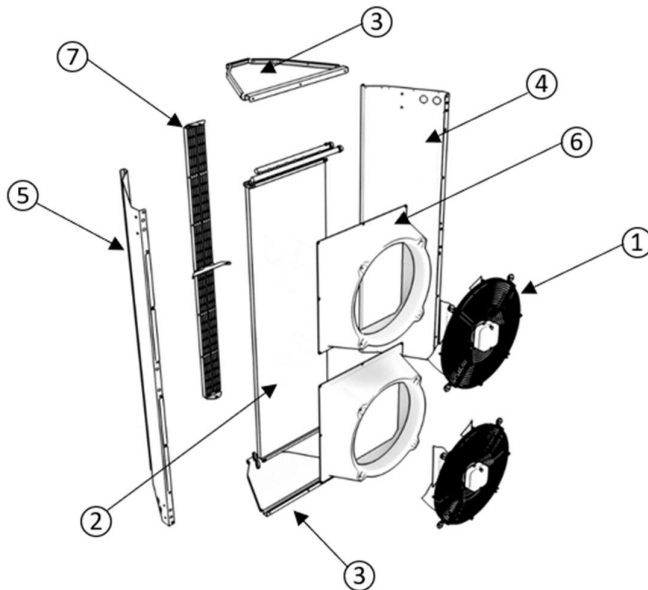


PIC. 2.2 AIR STREAM RANGE FOR DIFFERENT FAN STEPS.

ADVICE

1. In buildings where thermal comfort is required, it is recommended to use a heated air curtain (W or E).
2. Under pressure in the building significantly reduces the efficiency of the air barrier, the ventilation system should be balanced.
3. At a wind speed of more than 3 m/s, the heated version of air curtain should be used to increase user comfort.

3. CONSTRUCTION



PIC. 3.1 CONSTRUCTION OF ELiS G N/W/E.

1. Fan
2. Heat exchanger (W) / Electric heaters (E)
3. Side cover
4. Left cover
5. Right cover
6. Nozzle
7. Outlet grill

4. TECHNICAL DATA ELiS G W

STEP	ELiS G W-150			ELiS G W-200			ELiS G W-250		
	III	II	I	III	II	I	III	II	I
Power supply [V/Hz]	1N ~ 230/50								
Power consumption [W]	670	480	240	1050	730	370	1400	970	490
Current consumption [A]	3	2,3	1,3	4,5	3,6	1,9	6,0	4,8	2,5
Air volume [m ³ /h]*	6200	4000	2500	9100	5600	3300	12000	7200	4300
Range [m]*	7,5	4,2	2,5	7,5	4,2	2,5	7,5	4,2	2,5
Acoustic pressure level [dB(A)]** - 3 m	67	57	46	69	58	47	70	59	48
Acoustic pressure level [dB(A)]** - 5 m	66	56	45	68	57	46	69	58	47
Acoustic power level [dB(A)]***	82	72	61	84	73	62	85	74	63
Weight [kg]	40,7			53,5			68,1		
Weight of unit filled with water [kg]	43,0			55,8			71,8		
IP	54								
Max. working temperature [°C]	60								
Connection stub ["]	¾ external thread connection								
Max. Water pressure [MPa]	1,6								
Max. Water temperature [°C]	120								
Heating power [kW]****	7,8-27			8,7-30			15-49,6		
Temperature increase (ΔT)[°C]****	4-13			3-11			4-12		

STEP	ELiS G W-150 2R			ELiS G W-200 2R		
	III	II	I	III	II	I
Power supply [V/Hz]	1N ~ 230/50					
Power consumption [W]	670	480	240	1050	730	370
Current consumption [A]	3	2,3	1,3	4,5	3,6	1,9
Air volume [m ³ /h]*	6100	3900	2400	8800	5400	3100
Range [m]*	7,5	4,2	2,5	7,5	4,2	2,5
Acoustic pressure level [dB(A)]** - 3 m	68	58	47	70	59	48
Acoustic pressure level [dB(A)]** - 5 m	67	57	46	69	58	47
Acoustic power level [dB(A)]***	83	73	62	85	74	63
Weight [kg]	44,3			57,1		
Weight of unit filled with water [kg]	48,9			61,7		
IP	54					
Max. working temperature [°C]	60					
Connection stub ["]	¾ external thread connection					
Max. Water pressure [MPa]	1,6					
Max. Water temperature [°C]	120					
Heating power [kW]****	18,7 - 62,9			21,4 - 71,9		
Temperature increase (ΔT)[°C]****	9 - 30			8 - 27		

* according to ISO 27327-1;

** Acoustic pressure level has been measured in a 1500m³ space with a medium sound absorption coefficient, directional factor: Q=2;

*** Acoustic power level according to ISO 27327-2;

**** Range of heating powers and temperatures specified for the parameters: III fan speed, heating medium temperature 50/40° C inlet temperature 20° C - III fan speed, heating medium temperature 90/70° C at the device inlet 0° C.

5. TECHNICAL DATA ELiS G N/E

STEP	ELiS G N-150			ELiS G N-200			ELiS G N-250		
	III	II	I	III	II	I	III	II	I
Power supply [V/Hz]	1N ~ 230/50								
Power consumption [W]	670	480	240	1050	730	370	1400	970	490
Current consumption [A]	3	2,3	1,3	4,5	3,6	1,9	6,0	4,8	2,5
Air volume [m ³ /h]*	6550	4600	2800	9700	6300	3900	12800	8100	4900
Range [m]*	8	4,5	2,8	8	4,5	2,8	8	4,5	2,8
Acoustic pressure level [dB(A)]** - 3 m	66	56	45	67	57	46	69	59	47
Acoustic pressure level [dB(A)]** - 5 m	65	55	44	66	56	45	68	58	46
Acoustic power level [dB(A)]***	81	71	60	83	72	61	84	74	62
Weight [kg]	35,6			48,4			61,1		
IP	54								
Max. working temperature [°C]	60								

STEP	ELiS G E-150			ELiS G E-200			ELiS G E-250		
	III	II	I	III	II	I	III	II	I
Power supply [V/Hz]	3N ~ 400/50								
Power consumption of fans [W]	680	480	245	1050	730	370	1400	970	490
Current consumption of fans [A]	3,0	2,3	1,3	4,5	3,6	1,9	6,0	4,8	2,5
Air volume [m ³ /h]*	6300	4300	2600	9400	5700	3400	12400	7800	4900
Range [m]*	7,5	4,5	2,8	7,5	4,5	2,8	7,5	4,5	2,8
Acoustic pressure level [dB(A)]** - 3 m	66	56	45	67	57	46	69	59	47
Acoustic pressure level [dB(A)]** - 5 m	65	55	44	66	56	45	68	58	46
Acoustic power level [dB(A)]***	81	71	60	82	72	61	84	74	62
Weight [kg]	39,1			53,1			64,8		
IP fan / IP heating elements	54 / 20								
Max. working temperature [°C]	60								
	3N ~ 400/50 (3. power step)								
Power consumption of heating elements [kW]	13,5			20,5			24,5		
current consumption of heating elements [A]	19,5			29,5			36,0		
Temperature increase (ΔT) [°C]	7,0	10	16,0	7,0	12,0	18,0	7,5	11	16,5
	3N ~ 400/50 (2. power step)								
Power consumption of heating elements [kW]	9,0			13,5			14,0		
Current consumption of heating elements [A]	13,0			19,5			20,5		
Temperature increase (ΔT) [°C]	5,0	8,0	11,0	5,0	8,0	12,0	4,0	5,5	9,0
	3N ~ 400/50 (1. power step)								
Power consumption of heating elements [kW]	4,5			7,0			10,5		
Current consumption of heating elements [A]	6,5			10,0			15,5		
Temperature increase (ΔT) [°C]	3,0	4,0	6,0	3,0	4,0	7,0	3,0	4,0	6,5

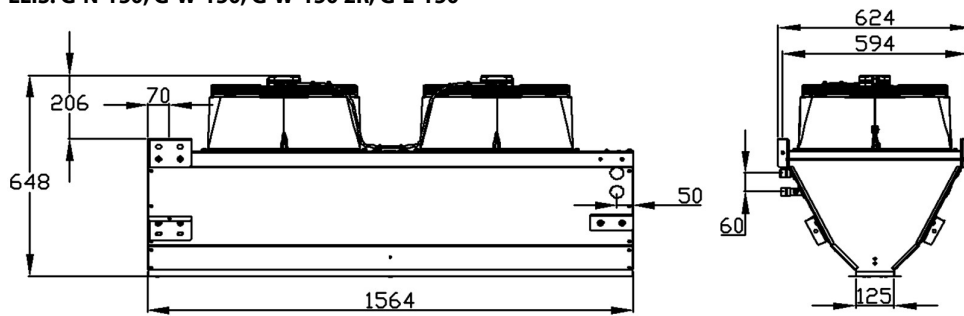
* according to z ISO 27327-1;

** Acoustic pressure level has been measured in a 1500m³ space with a medium sound absorption coefficient, directional factor: Q=2;

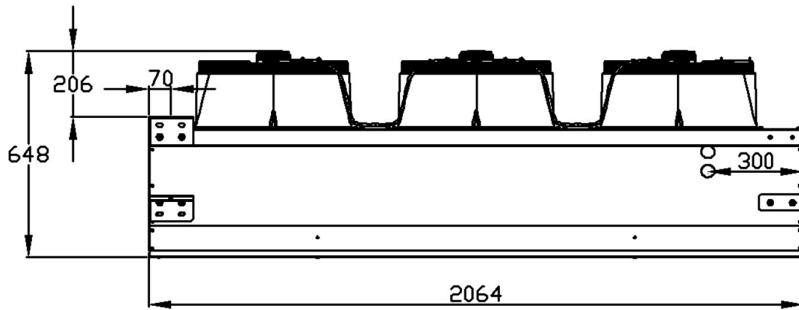
*** according to ISO 27327-2.

6. DIMENSIONS

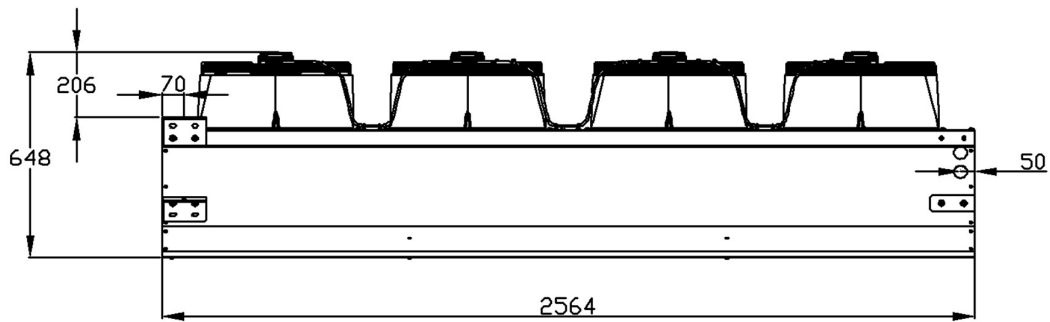
ELiS: G-N-150; G-W-150; G-W-150 2R; G-E-150



ELiS: G-N-200; G-W-200; G-W-200 2R; G-E-200



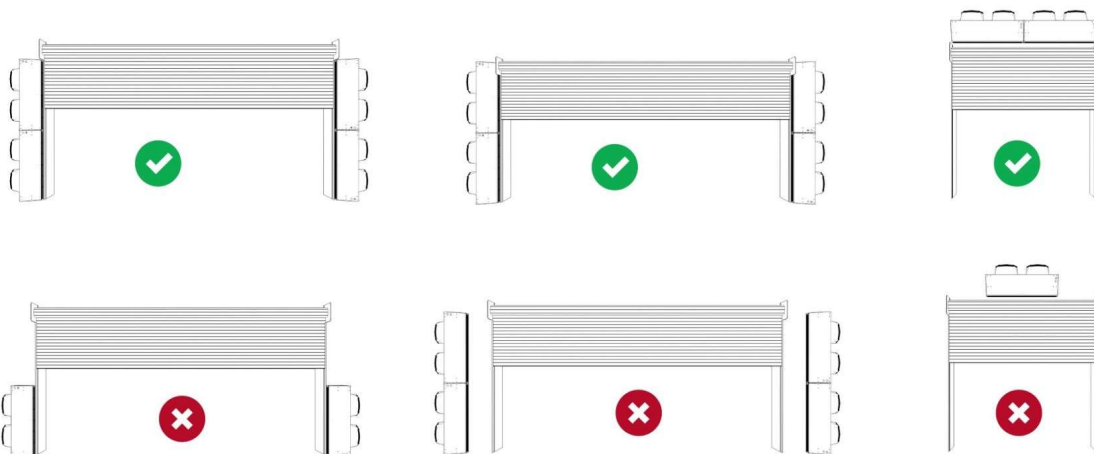
ELiS: G-N-250; G-W-250; G-E-250



7. INSTALLATION

Air curtains must be installed as close as possible to the door opening and cover:

- the entire width (applies to horizontal installation),
- full height (applies to vertical mounting).



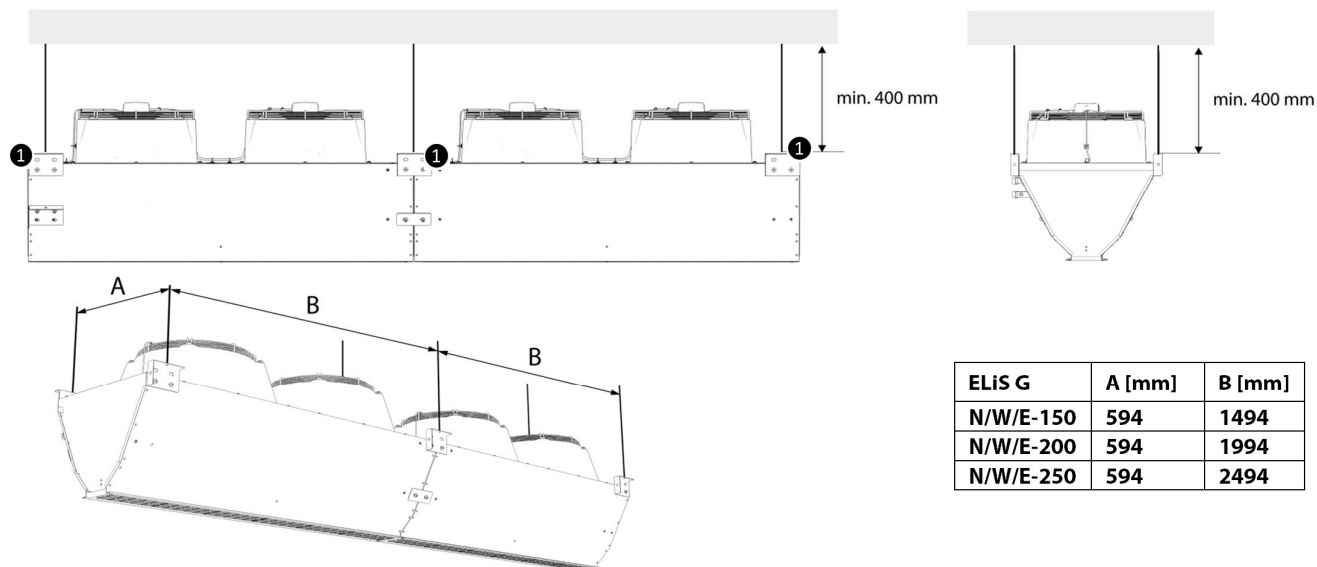
8. MOUNTING - RECOMMENDED DISTANCES

ELiS G air curtains are delivered with set of hangers which allow install them horizontally as well as vertically. Installation pins and screws required for fix unit to the wall/floor/post are not included.

Max size of covered doorway:

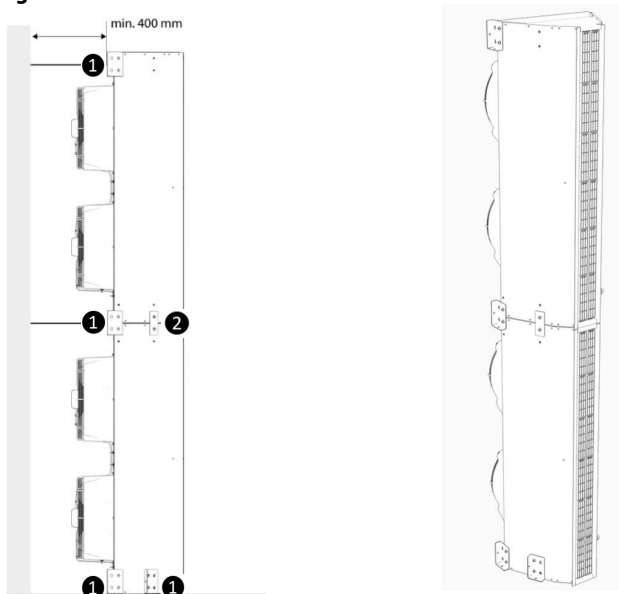
- vertical single side installation max width 8,0 m for ELiS G-N, 7,5 m for ELiS G-E/W, ELiS G-W-2R,
- vertical double side installation max width 14,0 m for ELiS G-N, 13,0 m for ELiS G-E/W, ELiS G-W-2R,
- horizontal installation max height level 8,0 m for dla ELiS G-N, 7,5 m for ELiS G-E/W, ELiS G-W-2R,

WARNING  **Screw air curtain to the wall/floor/post before first start up.**



PIC. 8.1 HORIZONTAL INSTALLATION

In case of horizontal installation use installation plate **1** and mount unit via threaded pins M10 (not included). Single unit is mounted on 4 installation plates, two units on 6 pcs. Installation plates are used to screw units among themselves as show on drawing.



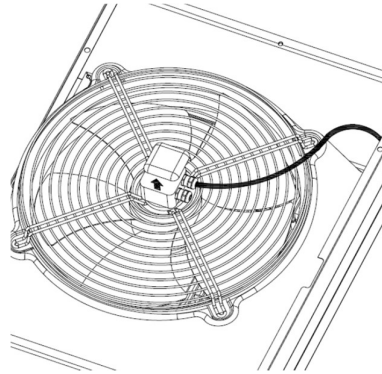
PIC. 8.2 VERTICAL INSTALLATION

Vertical installation is executed via included in set installation plates **1**, which should mount unit to the floor. Next air curtain should be putted on the first one and screwed with it via installation plate **1** and **2**, those installation plates must be anchored to the wall/post (drawing). It is also required to anchor the device at the highest point of the installation. In the case of vertical mounting, mounting up to 4 stacked curtains.

9. CONNECTING OF ELECTRICAL INSTALLATION

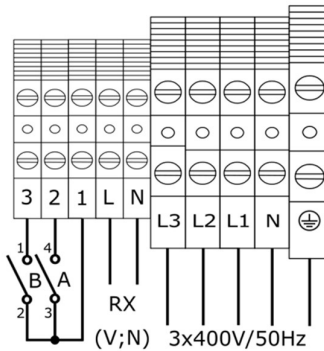
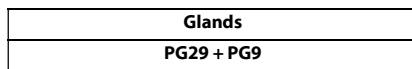
G-N-150; G-W-150; G-W-150 2R; G-E-150; G-N-200; G-W-200; G-W-200 2R; G-E-200; G-N-250; G-W-250; G-E-250

To supply curtain with power connect it by connection box closest to unit side (or G-W / N / E-250, two electrical connections to the fans are required). Protract cable by glands (PG9 or PG11) and connect wires according to scheme from box cover.



G-E-150; G-E-200; G-E-250;

To activate the curtain fans, the 3N 400V / 50 Hz heating elements should be powered by connecting the cables to the box located between the fan nozzles (through the PG29 gland). Then connect the start signal from the RX manifold to the connectors (L; N through the PG9 gland).



Power step [kW]			
ELiS G	A	B	A + B
E-150	4,5	9,0	13,5
E-200	7,0	13,5	20,5
E-250	10,5	14,5	24,5

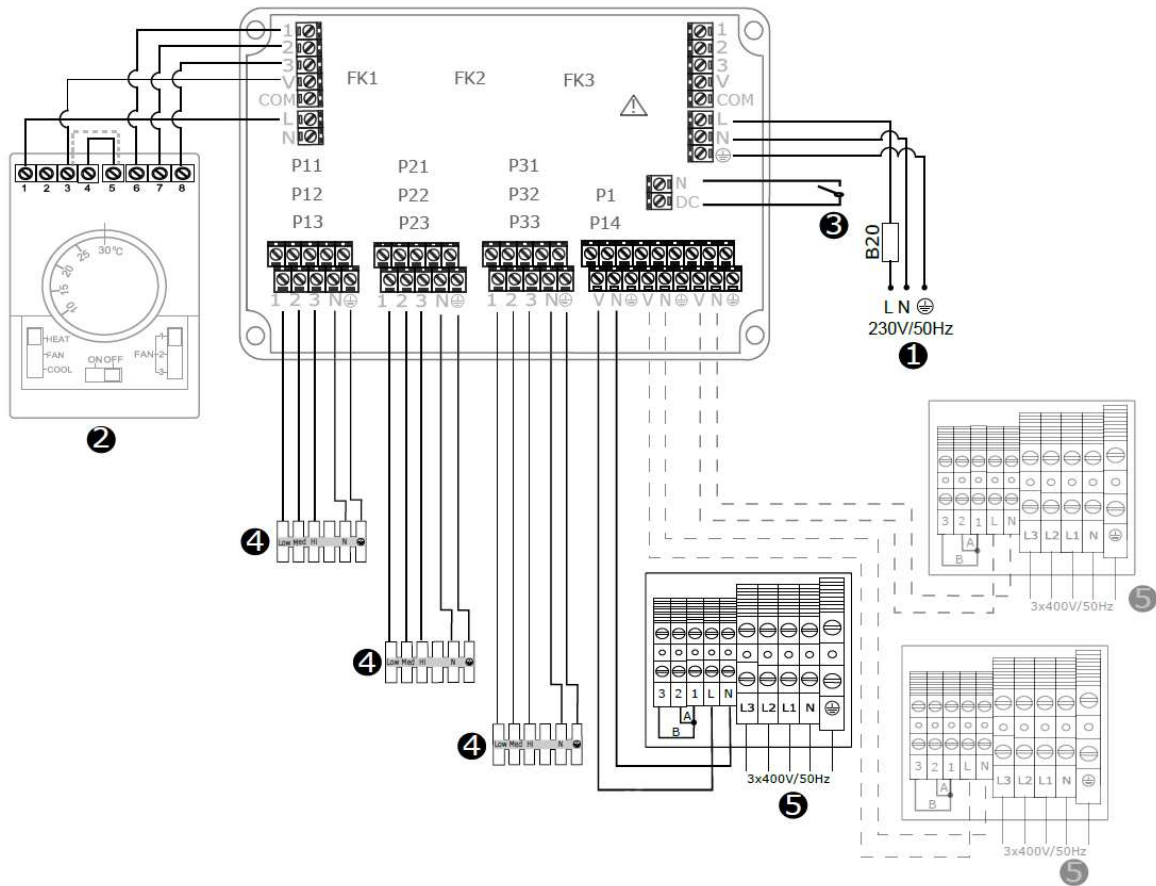
The default device is equipped with a cable jumper on the power level A+B.
To change power level use switch, index: 57425



WARNING

1. The power connection should be made in accordance with the technical documentation. The device installation should always be carried out in accordance with applicable local safety standards.
2. The cross-section and type of the cable and the protection should be selected by the designer. Always make sure that disconnectors and circuit breakers are properly sized and disconnect all poles of the power supply
3. Make sure that the connection of power supply and controllers to the ELiS G curtain is made in accordance with the electrical specifications and the instructions included in the connection diagrams in the technical documentation.
4. Before connecting the power supply, check that the mains voltage corresponds to the voltage on the device's type plate.
5. Check the power connection before connecting the air curtain.
6. Starting the device without connecting the grounding wire is not allowed.
7. Protect the power cord against pulling out by clamping it in the stuffing boxes of the fans and the junction box.
8. Tighten all connection cables in the block properly
9. In the event of a hazard due to unintentional reset of the thermal switch, this curtain (ELiS G E) should not be powered by an external connecting device such as a time switch, or connected to a circuit that is regularly switched off and switched on during use.

10. CONTROL – CONNECTION DIAGRAM ELiS G-E 150; G-E 200



RX

- ❶ RX Power supply: 230 V / 50 Hz (OMY min. 3x1,5 mm²); glands 16 x PG11
- ❷ 3 - step switch with thermostat TS (OMY min. 5x0,5 mm²)
 - HEAT – heating mode
 - FAN – room thermostat deactivated
 - COOL – cooling mode
 - 1;2;3 step of fan
 - FAN AUTO, jumper 3-5, fan operation depends on temperature,
 - FAN CONT, jumper 4-5, fan continuous operation
- ❸ Door contact DCm (door opened – opened contacts) (OMY 2x0,5 mm²);
- ❹ Connection of power supply for ELiS G curtain fans (one connector can be connected to one curtain) (OMY min. 5x1,0 mm²); glands PG7 + PG9
- ❺ Power supply junction box 3x400 V / 50Hz
 - ELiS G-E-150 (min. 5x4,0 mm²)(overcurrent B25)
 - ELiS G-E-200 (min. 5x6,0 mm²)(overcurrent B40)
 - Control signal to junction box (OMY min. 2x0,5 mm²);
 - glands PG29 + PG9

FK1; FK2; FK3 - overload protector (6,3 A);

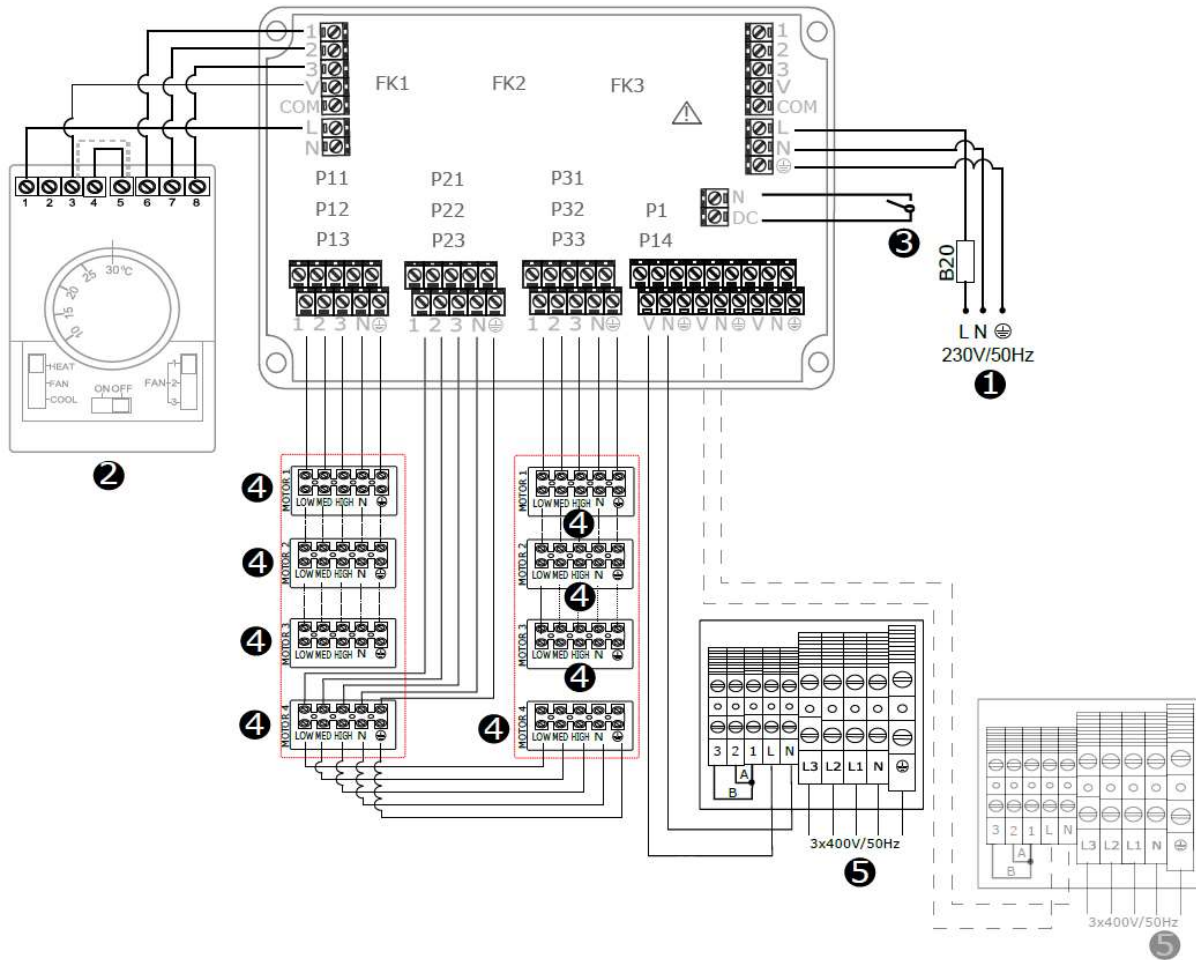


1. To connect the cables from the RX to the curtain, disassemble the cover of the fan box and then lead the cable through the free gland.
2. Without a door sensor, the air curtain will work in relation to the setting from TS thermostat. When working with a door sensor, the curtain will be activated only when the gate is opened (the contacts of the N; DC connector are open).
3. In order to connect the heating elements and the heating start signal from the RX, dismantle the box cover located between the nozzles of the fans, and then lead the cables through the glands.



1. To one RX can be connected maximum of 3 G-E-150 or G-E-200 curtains
2. Disconnect all power circuits before accessing terminals.

11. CONTROL – CONNECTION DIAGRAM ELiS G-E 250



RX

- ❶ RX Power supply: 230 V / 50 Hz (OMY min. 3x1,5 mm²); glands 16 x PG11
- ❷ 3 - step switch with thermostat TS (OMY min. 5x0,5 mm²)
 - HEAT – heating mode
 - FAN – room thermostat deactivated
 - COOL – cooling mode
 - 1;2;3 step of fan
 - FAN AUTO, jumper 3-5, fan operation depends on temperature,
 - FAN CONT, jumper 4-5, fan continuous operation
- ❸ Door contact DCm (door opened – opened contacts) (OMY 2x0,5 mm²);
- ❹ Connection of power supply for ELiS G curtain fans (OMY min. 5x1,0 mm²); glands PG7 + PG9
- ❺ Power supply junction box 3x400 V / 50Hz
 - ELiS G-E-250 (min. 5x6,0 mm²)(overcurrent B40)
 - Control signal to junction box (OMY min. 2x0,5 mm²)
 - glands PG29 + PG9

FK1; FK2; FK3 - overload protector (6,3 A);



ADVICE

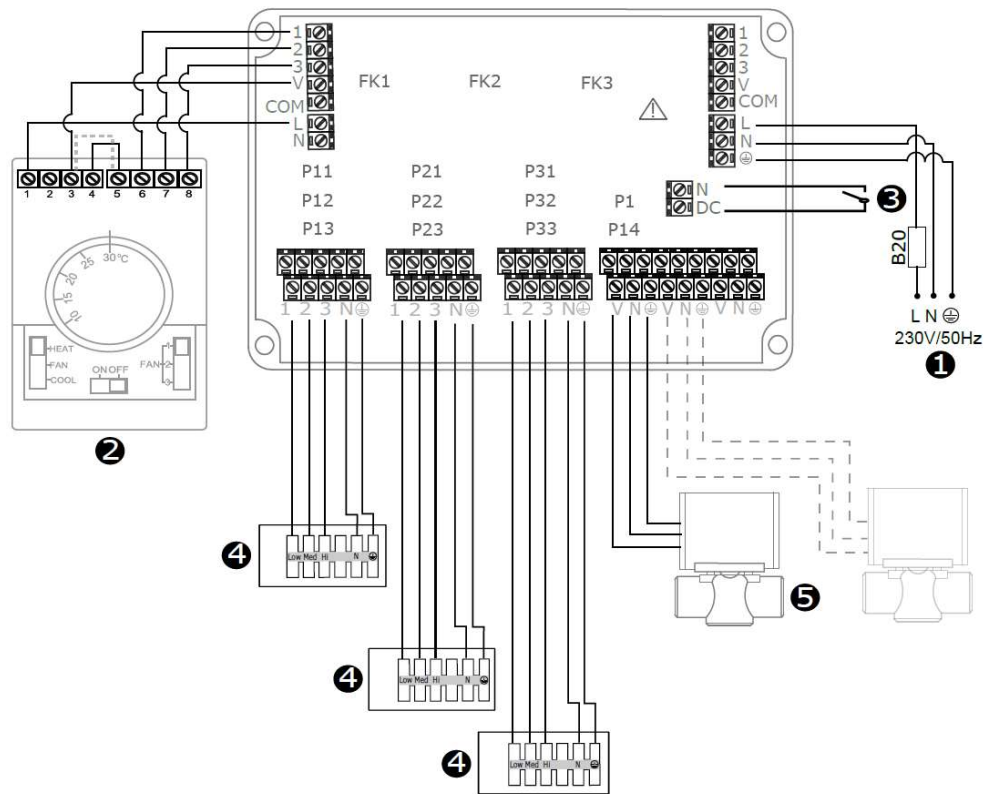
1. To connect the cables from the RX to the curtain, disassemble the cover of the fan box and then lead the cable through the free gland.
2. Without a door sensor, the air curtain will work in relation to the setting from TS thermostat. When working with a door sensor, the curtain will be activated only when the gate is opened (the contacts of the N; DC connector are open).
3. In order to connect the heating elements and the heating start signal from the RX, dismantle the box cover located between the nozzles of the fans, and then lead the cables through the glands.



WARNING

1. To one RX can be connected maximum of 2 G-E-250 curtains
2. Disconnect all power circuits before accessing terminals.

12. CONTROL – CONNECTION DIAGRAM ELiS G-N-150; G-W-150; G-W-150 2R; G-N-200; G-W-200; G-W-200 2R.



RX

① RX Power supply: 230 V / 50 Hz (OMY min. 3x1,5 mm²); glands 16 x PG11

② 3 - step switch with thermostat TS (OMY min. 5x0,5 mm²)

- HEAT – heating mode
- FAN – room thermostat deactivated
- COOL – cooling mode
- 1;2;3 step of fan
- FAN AUTO, jumper 3-5, fan operation depends on temperature,
- FAN CONT, jumper 4-5, fan continuous operation

③ Door contact DCm (door opened – opened contacts) (OMY 2x0,5 mm²);

④ Connection of power supply for ELiS G curtain fans (one connector can be connected to one curtain)(OMY min. 5x1,0 mm²); glands PG7 + PG9

⑤ SRQ/SRQ3d valve power supply (OMY min. 3x0,75 mm²)

FK1; FK2; FK3 - overload protector (6,3 A);

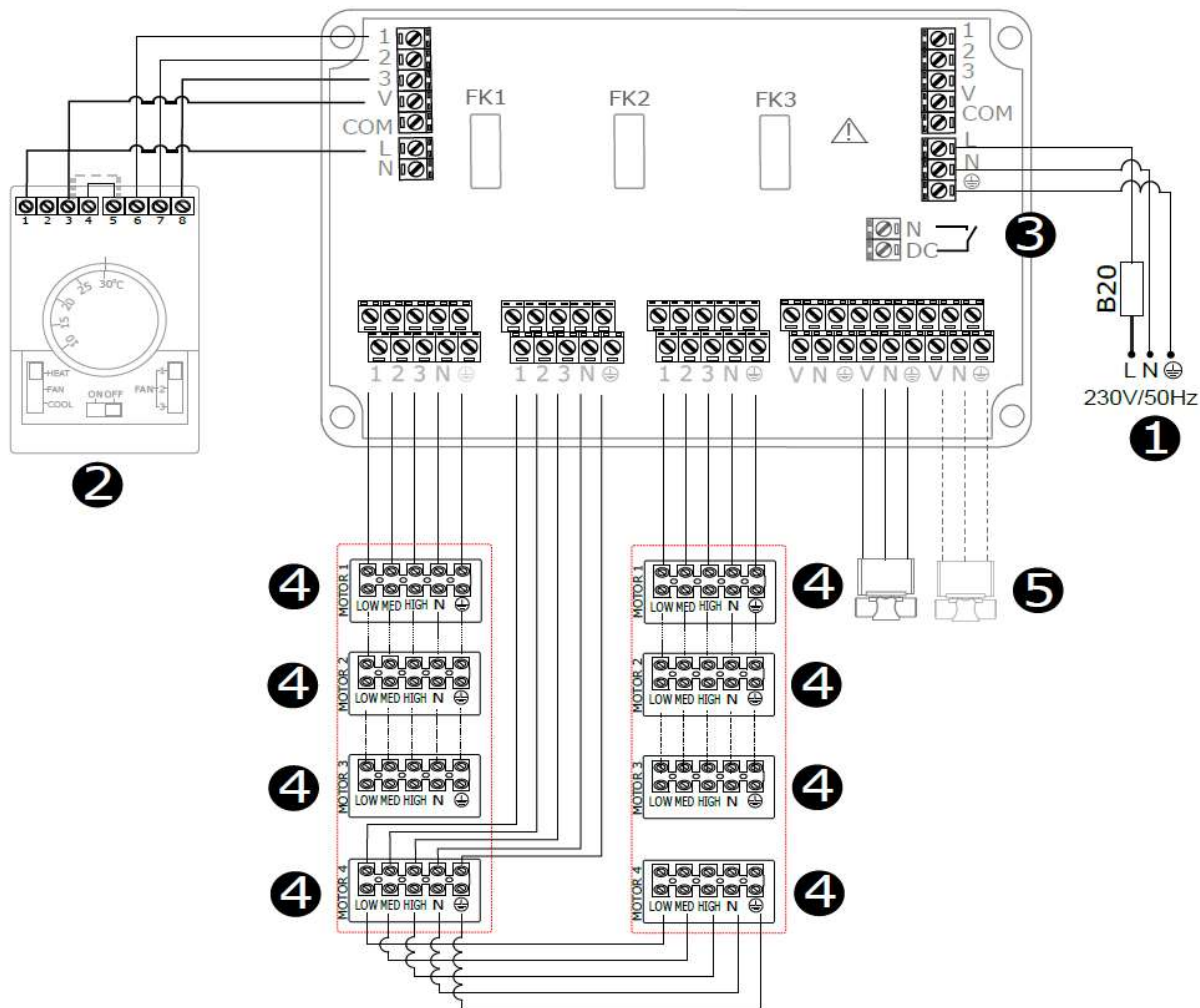
ADVICE

1. To connect the cables from the RX to the curtain, disassemble the cover of the fan box and then lead the cable through the free gland.
2. Without a door sensor, the air curtain will work in relation to the setting from TS thermostat. When working with a door sensor, the curtain will be activated only when the gate is opened (the contacts of the N; DC connector are open).

WARNING

1. To one RX can be connected maximum of 3 G-W/N-150 or G-W/N-200 curtains

13. CONTROL – CONNECTION DIAGRAM ELiS G-N-250; G-W-250



RX

- ❶ RX Power supply: 230 V / 50 Hz (OMY min. 3x1,5 mm²); glands 16 x PG11
- ❷ 3 - step switch with thermostat TS (OMY min. 5x0,5 mm²)
 - HEAT – heating mode
 - FAN – room thermostat deactivated
 - COOL – cooling mode
 - 1;2;3 step of fan
 - FAN AUTO, jumper 3-5, fan operation depends on temperature,
 - FAN CONT, jumper 4-5, fan continuous operation
- ❸ Door contact DCm (door opened – opened contacts)(OMY 2x0,5 mm²);
- ❹ connection of power supply for ELiS G curtain fans (OMY min. 5x1,0 mm²); glands PG7 + PG9
- ❺ SRQ/SRQ3d valve power supply (OMY min. 3x0,75 mm²)

FK1; FK2; FK3 - overload protector (6,3 A);



ADVICE

1. To connect the cables from the RX to the curtain, disassemble the cover of the fan box and then lead the cable through the free gland.
2. By default, three fans are connected together, the fourth one should be connected separately to another channel of the RX distributor
3. Without a door sensor, the air curtain will work in relation to the setting from TS thermostat. When working with a door sensor, the curtain will be activated only when the gate is opened (the contacts of the N; DC connector are open).



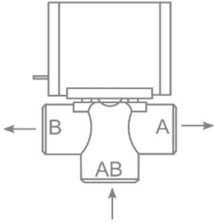
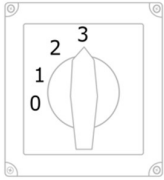
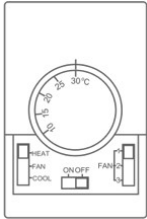
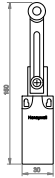
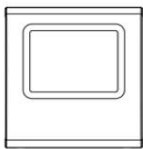

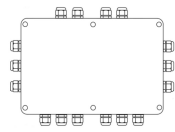
WARNING

1. To one RX can be connected maximum of 2 G-W/N-250 curtains

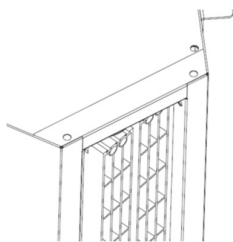
14. CONTROL - DRV ELiS + T-BOX

In the case of connecting the DRV ELiS control module with an T-BOX intelligent controller to the RX splitter, it should be done instead of the TS controller and use the diagrams available in the documentation of the RX splitter. In such a case, connecting the curtains to the RX splitter is adequate to that presented in chapters 10 to 13.

15. CONTROLS - OPTIONAL ELEMENTS

SRQ3d 3/4" – Three-way valve 3/4" with actuator SRQ2d 3/4" – Two-way valve 3/4" with actuator	
	<p>Protection degree: IP20 Supply voltage: 230/50 Hz Max. medium temperature: +93°C Max. Operating pressure: 2,1 MPa Kvs: 6,5 m³/h Installation: on the supply of the water heat exchanger Motor running time: 18 s A – Return pipe water supply AB – Valve water supply B – Exchanger water supply</p>
Heating steps switch	
	<p>Protection degree: IP55 Supply voltage: 230/50 Hz Contact load: 10 A Operating temperature range: 0 ... +40 °C</p>
TS – 3-step regulator with built-in thermostat	
	<p>Temperature setting range: +10 ... +30 °C Operating temperature range: 0 ... +40 °C Protection degree: IP30 Contact load: inductive 5 A Supply voltage: 230 V/50 Hz FAN AUTO - fan operation depends on the temperature. FAN CONT - continuous fan operation HEAT - heating function FAN - deactivate the thermostat for FAN CONT COOL - reversal of the operation logic of the thermostat</p>
DCm – mechanical door contact	
	<p>Operating temperature range: -10 ÷ +80 °C Protection degree: IP66 Connectors: 1xNC i 1xNO Max current: resistive – 10 A inductive – 3 A Max power load: 300 VAC or 250 VDC</p>
T-box/T-box Zone – touch screen controller	
	<p>Temperature setting range: +5 ... +45 °C Operating temperature range: 0 ... +60 °C Protection degree: IP30 Supply voltage: 24 VDC</p>
DRV ELiS – control module	
	<p>Operating temperature range: 0 ... +60 °C Protection degree: IP54 Supply voltage: 230 V/50 Hz DRV ELiS can be connected to ELiS G air curtain only via RX splitter</p>
RX – signal splitter	
	<p>Operating temperature range: 0 ... +40 °C Protection degree: IP54 Supply voltage: 230 V/50 Hz To one RX can be connected maximum of 3 G-N/W/E-150 or G-N/W/E-200 curtains or maximum of 2 G-N/W/E-250</p>

16. ADJUSTMENT OF OUTLET GRILL



The device is equipped adjustable outlet grilles. The angle should be set manually within $\pm 17^\circ$. The airflow from the outlet grille should be directed as close as possible to the plane of the door opening (taking into account the conditions prevailing at the door opening).



ADVICE

In order to increase the effectiveness of the air barrier during windy conditions, the curtain's air stream should be directed outside the door to create a more efficient air barrier to external factors.

17. CONNECTION OF HYDRAULIC INSTALLATION



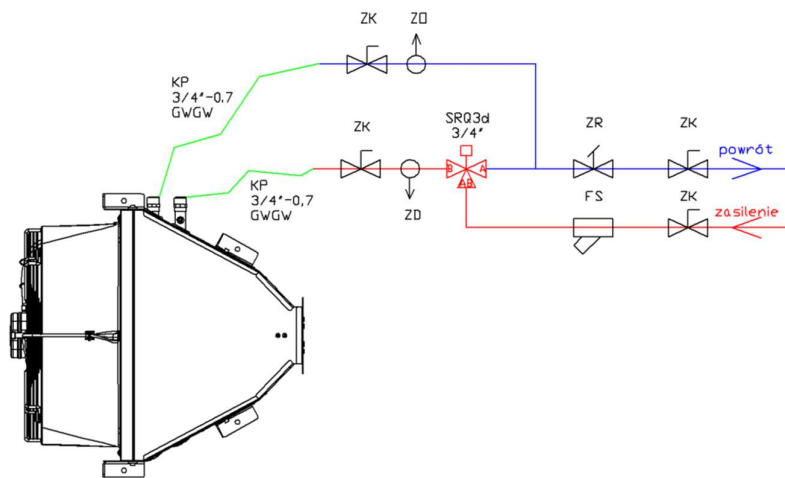
WARNING

1. Disconnect the curtain power supply before connecting the water system.
2. The connection should be made without stress. It is recommended to use flexible ducts supplying the heating medium.
3. Water supply should be connected to the connector marked with the symbol of red arrow.
4. The installation with the heating medium must be protected against the increase of the heating medium pressure above the permissible value (1.6 MPa).
5. Before starting the device, check the correct connection of the heating medium and the system for leaks.
6. During assembly of the installation it is absolutely necessary to immobilize the exchanger's connector pipes (counter)
7. After filling the system with heating medium, check the tightness of the hydraulic connections, including the built-in vent.



ADVICE

1. It is recommended to use bleeding/air release valves at the highest point of the installation.
2. In the event that the water from the device is drained for a longer period of time, the exchanger tubes should be blown and dried with compressed air.
3. Installation should be carried out in such a way that in the event of a failure it is possible to dismantle the device (use of flexible hoses is recommended). For this purpose, use shut-off valves next to the device. (rys. 16.1).



ZK - ball valve
 ZO - bleeding valve
 ZR - balancing valve
 ZD - drainage valve
 FS - mesh filter
 KP - flexible hoses
 SRQ3d - 3-way valve with ON/OFF actuator

RYS. 16.1. CONNECTION EXAMPLE OF HYDRAULIC COMPONENTS.

18. PARAMETERS OF THE HEATING MEDIUM

The water heat exchanger can be supplied with water or glycol solutions up to 60%. The heat exchanger tubes are made of copper. The heating medium should not cause corrosion of this material. In particular, the parameters as below should be provided.

Parameter	Value
pH	7,5-9,0
Pollution	Free of sediments/particles
Total hardness	$[Ca^{2+}, Mg^{2+}] / [HCO_3^-] > 0.5$
Oil and grease	<1 mg/l
Oxygen	<0.1 mg/l
HCO ³	60-300 mg/l
Ammonia	< 1.0 mg/l
Sulphides	< 0.05 mg/l
Chlorides, Cl	<100 mg/l

19. OPERATION

WARNING



1. The device must be periodically checked. These activities should be performed **ONLY** by qualified personnel. If the device malfunctions, turn it OFF immediately and contact FLOWAIR SERVICE SUPPORT.
2. Do not attempt to repair, move, modify, or reinstall the device yourself. Performing these activities by unauthorized personnel may result in electric shock or fire.
3. Do not use a damaged device. The manufacturer is not responsible for damages resulting from the use of a damaged device.
4. The device is intended for indoor use at temperatures above 0°C. At temperatures below 0°C there is a risk of freezing of the medium.

The manufacturer is not responsible for damage to the heat exchanger resulting from the freezing of the medium in the exchanger.

ADVICE



1. The heating elements are equipped with thermal protections, which in case of too high temperature in their surroundings will disconnect the heating. The heating can be switched on again after the temperature has dropped and manual reset is performed by switching OFF and ON the heating with external controller. If the heating disconnects repeatedly, contact a qualified service center.
2. In the case of water supplied air curtains, when the water from the device is drained for a longer period of time, the exchanger tubes should be blown with compressed air.

20. CLEANING AND MAINTENANCE

Periodically check (at least twice a year) the dirtiness level of the heat exchanger (ELiS G W), electric heaters (ELiS G E). Clogging a part of the air intake causes a decrease in the heating power of the device and adversely affects the operation of the fan, and in the case of electric heaters it can cause permanent loss of rated parameters.

Cleaning the exchanger should be carried out in accordance with the following guidelines:

- The power supply must be disconnected during cleaning.
- Dismantle the fans and clean the exchanger through the air nozzles.
- When cleaning the exchanger, be careful not to bend the aluminum fins.
- It is not recommended to use sharp objects for cleaning, due to the possibility of damage to the lamellas.
- Cleaning with compressed air is recommended.
- The exchanger cannot be cleaned with water!
- Cleaning should be carried out along the slats, with the blowing nozzle perpendicular to exchanger.

ADVICE



21. CONFORMITY WITH WEEE 2012/19/UE

Running a business without harming the environment and observing the rules of proper handling of waste electrical and electronic equipment is a priority for FLOWAIR.

The symbol of the crossed out wheeled bin placed on the equipment, packaging or documents attached means that the product must not be disposed of with other wastes. It is the responsibility of the user to hand the used equipment to a designated collection point for proper processing. The symbol means that the equipment was placed on the market after August 13, 2005.



For information regarding recycling of waste electrical and electronic equipment, please contact your local distributor.

REMEMBER:

Do not dispose of used equipment together with other waste! There are financial penalties for this. Proper handling of used equipment prevents potential negative consequences for the environment and human health. At the same time, we save the Earth's natural resources, reusing resources obtained from the processing of equipment.

22. SERVICE AND WARRANTY TERMS

Please contact your dealer in order to get acquitted with the warranty terms and its limitation.

In the case of any irregularities in the device operation, please contact the manufacturer's service department.

The manufacturer bears no responsibility for operating the device in a manner inconsistent with its purpose, by persons not authorised for this, and for damage resulting from this!

**Made in Poland
Made in EU**

Manufacturer: FLOWAIR SP. Z O.O.
ul. Chwaszczyńska 135, 81-571 Gdynia
e-mail: info@flowair.pl
www.flowair.com

1. WAŻNE INFORMACJE

Dołożyliśmy wszelkich starań, aby niniejsza instrukcja była jak najłatwiejsza do zrozumienia. Jeśli jednak masz jakieś trudności, problemy lub pytania, skontaktuj się ze wsparciem FLOWAIR pod adresem: info@flowair.pl

Odwiedź także naszą stronę internetową www.flowair.pl na której znajdziesz pełne wskazówki montażowe.

W niniejszej instrukcji znajdziesz ważne wskazówki oznaczone jak poniżej:



OSTRZEŻENIE

- Niebezpieczne praktyki, których zaistnienie może skutkować poważnym urazem lub śmiercią. Przed przystąpieniem do pracy należy zapoznać się ze wszystkimi ostrzeżeniami.



PRZESTROGA

- Niebezpieczne praktyki, których zaistnienie może skutkować uszkodzeniem dóbr lub nieznacznymi obrażeniami ciała. Przed przystąpieniem do pracy należy zapoznać się ze wszystkimi przestroгами.



PORADA

- Przydatne wskazówki dla użytkownika i instalatora.

WAŻNE INFORMACJE DOTYCZĄCE BEZPIECZEŃSTWA:



PORADA

1. Przed montażem, podłączeniem, uruchomieniem, użytkowaniem i konserwacją urządzenia należy zapoznać się w całości z niniejszą instrukcją.
2. Po odebraniu produktu należy sprawdzić, czy nie uległ on uszkodzeniu podczas transportu. Jeżeli produkt wydaje się być uszkodzony, NIE NALEŻY ROZPOCZYNAĆ INSTALACJI; zamiast tego należy natychmiast zgłosić uszkodzenie przewoźnikowi.
3. Urządzenie musi być zamontowane w sposób stabilny, trwały i zgodny z instrukcją, w miejscu, do którego można uzyskać łatwy dostęp, zapewniając w ten sposób możliwość przeprowadzania napraw i rutynowych czynności konserwujących, a także umożliwiając łatwy i bezpieczny demontaż urządzenia.
4. Stabilność i trwałość montażu urządzenia jest zależna od konstrukcji budynku (w szczególności ścian i stropów). Wykonujący montaż należy uwzględnić te uwarunkowania podczas montażu urządzenia.
5. Dokumentację techniczną należy przechowywać w bezpiecznym miejscu, łatwo dostępnym dla użytkownika i serwisanta.
6. Tabliczka znamionowa znajduje przy dławnicach kablowych się na górnej części urządzenia.
7. Po zakończeniu instalacji należy zawsze przetestować działanie urządzenia.
8. Urządzenia nie należy instalować bezpośrednio pod gniazdem wtyczkowym



PRZESTROGA

1. Podłączenie zasilania powinna wykonać wyłącznie odpowiednio uprawniona osoba.
2. Urządzenie może uruchomić się w sposób automatyczny (po wykryciu ruchu w obszarze czujnika).
3. Urządzenie nie jest wyposażone w termostat kontrolujący temperaturę w pomieszczeniu. Nie używaj urządzenia w małych pomieszczeniach, w których znajdują się osoby nie będące zdolne samodzielnie ich opuścić. Nie dotyczy pomieszczeń z zapewnionym stałym nadzorem.
4. Urządzenie wymaga okresowych przeglądów, zgodnie z zapisami w niniejszej instrukcji.
5. Nie wolno zawieszania się na urządzeniu.
6. Nie wolno umieszczać na urządzeniu, ani zawieszania na króćcach przyłączeniowych żadnych przedmiotów.
7. Produkt należy przechowywać i montować w miejscach niedostępnych dla małych dzieci.
8. Urządzenie dedykowane jest do pracy wewnątrz pomieszczeń o maksymalnym zapyleniu powietrza 0,3 g/m³. Urządzenie posiada elementy wykonane z aluminium, miedzi oraz stali ocynkowanej i nie może być stosowane w środowisku mogącym powodować ich korozję.
9. Urządzenia nie mogą być stosowane w środowisku, gdzie występuje mgła olejowa.
10. Niniejszy sprzęt może być użytkowany przez dzieci w wieku co najmniej 8 lat i przez osoby o obniżonych możliwościach fizycznych, umysłowych i osoby o braku doświadczenia i znajomości sprzętu, jeżeli zapewniony zostanie nadzór lub instruktaż odnośnie do użytkowania sprzętu w bezpieczny sposób, tak aby związane z tym zagrożenia były zrozumiałe. Urządzenie nie może być używane przez dzieci do zabawy. Dzieci bez nadzoru nie powinny wykonywać czyszczenia i konserwacji sprzętu.
11. Urządzenie w wersji elektrycznej (ELIS G E) przy pierwszym uruchomieniu lub uruchomieniu po długim przestoju może wydzielać charakterystyczny zapach wypalenia kurzu.



OSTRZEŻENIE

1. Urządzenie jest zasilane napięciem elektrycznym niebezpiecznym dla człowieka. Należy zawsze odłączyć urządzenie od zasilania przed rozpoczęciem czynności serwisowych lub uzyskaniem dostępu do jego podzespołów wewnętrznych.
2. Nie należy wkładać palców ani żadnych przedmiotów do wnętrza urządzenia.
3. Nie wolno przykrywać urządzenia.

2. INFORMACJE OGÓLNE

Kurtyna powietrzna ELiS G jest wysokiej jakości urządzeniem, które poprzez nadmuch powietrza ogranicza straty związane z wymianą ciepła. Urządzenie dedykowane jest **WYŁĄCZNIE** do pracy wewnątrz pomieszczeń. Kurtyna ELiS G przeznaczona jest do montażu poziomego nad otworem drzwiowym lub pionowego przy otworze drzwiowym o maks. wysokości 8,0 m.

Kurtyna występuje w wersji zimnej (bez podgrzewu), z grzałkami elektrycznymi lub z wodnym wymiennikiem ciepła:

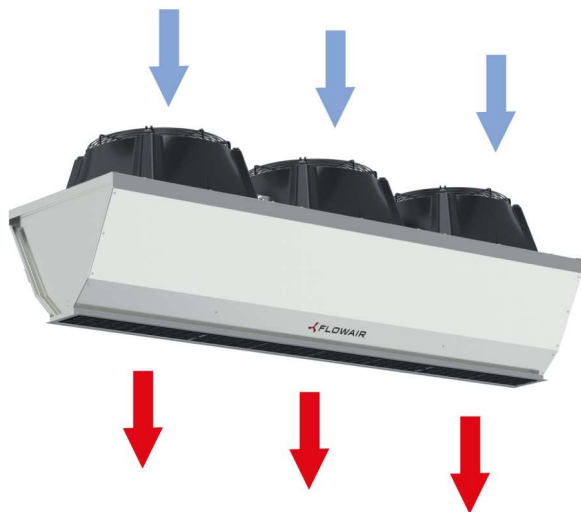
ELiS G E-150; ELiS G E-200; ELiS G E-250 - kurtyny z grzałkami elektrycznymi o maks. zasięgu 7,5 m*;

ELiS G W-150; ELiS G W-200; ELiS G W-250 - kurtyny z 1-rzędowym wodnym wymiennikiem ciepła o maks. zasięgu 7,5 m*;

ELiS G W-150 2R; ELiS G W-200 2R - kurtyny z 2-rzędowym wodnym wymiennikiem ciepła o maks. zasięgu 7,5 m*;

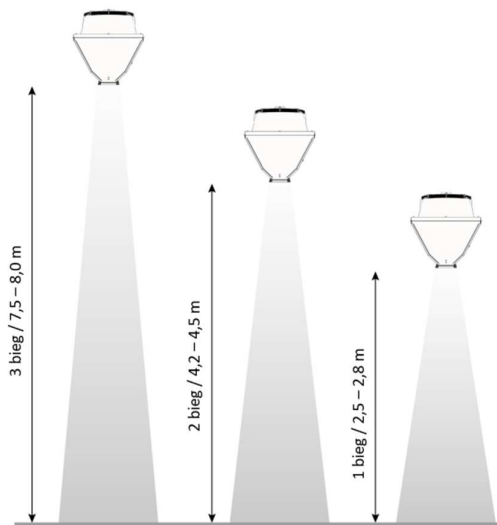
ELiS G N-150; ELiS G N-200; ELiS G N-250 - kurtyny bez wymiennika wodnego maks. zasięgu strumienia 8,0 m*.

*zgodnie z ISO 27327-1



1 wlot 2 wylot

RYS. 2.1 KIERUNEK PRZEPŁYWU POWIETRZA.

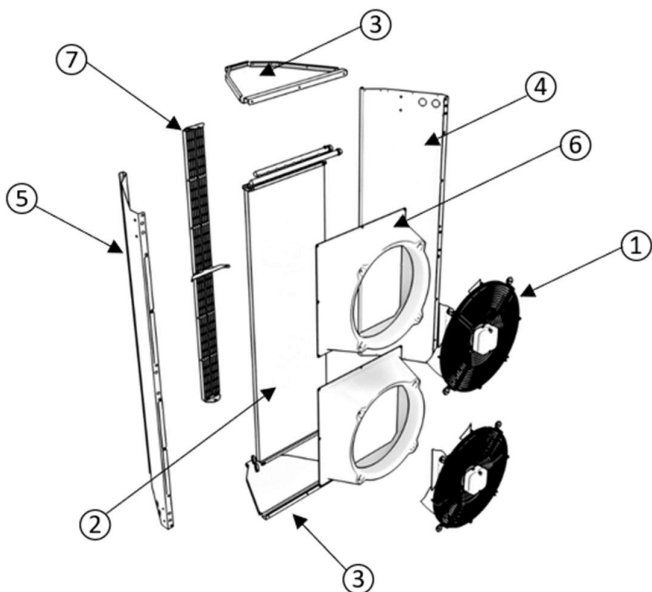


RYS. 2.2 ZASIĘG POWIETRZA NA POSZCZEGÓLNYCH BIEGACH.

PORADA

1. Dla obiektów gdzie wymagany jest komfort użytkownika zalecane jest zastosowanie kurtyny z podgrzewem (W lub E).
2. Podciśnienie w budynku znacznie obniża sprawność bariery powietrznej, należy zrównoważyć bilans wentylacyjny.
3. Przy prędkości napływającego do budynku wiatru powyżej 3 m/s, należy zastosować wersję z podgrzewem w celu zwiększenia komfortu użytkowników.

3. BUDOWA



RYS. 3.1 BUDOWA ELiS G N/W/E.

1. Wentylator
2. Wymiennik ciepła (W) / Grzałki elektryczne (E)
3. Obudowa bok
4. Pokrywa lewa
5. Pokrywa prawa
6. Dysza
7. Kratka wylotowa

4. DANE TECHNICZNE ELiS G W

BIEG	ELiS G W-150			ELiS G W-200			ELiS G W-250		
	III	II	I	III	II	I	III	II	I
Napięcie znamionowe [V/Hz]	1N ~ 230/50								
Znamionowy pobór mocy [W]	670	480	240	1050	730	370	1400	970	490
Znamionowy pobór prądu [A]	3	2,3	1,3	4,5	3,6	1,9	6,0	4,8	2,5
Wydajność [m ³ /h]*	6200	4000	2500	9100	5600	3300	12000	7200	4300
Zasięg [m]*	7,5	4,2	2,5	7,5	4,2	2,5	7,5	4,2	2,5
Poziom ciśnienia akustycznego [dB(A)]** - 3 m	67	57	46	69	58	47	70	59	48
Poziom ciśnienia akustycznego [dB(A)]** - 5 m	66	56	45	68	57	46	69	58	47
Poziom mocy akustycznej [dB(A)]***	82	72	61	84	73	62	85	74	63
Masa [kg]	40,7			53,5			68,1		
Masa urządzenia napełnionego wodą [kg]	43,0			55,8			71,8		
IP	54								
Maksymalna temperatura pracy [°C]	60								
Przylącze ["]	¾ gwint zewnętrzny								
Maksymalne ciśnienie robocze [MPa]	1,6								
Maksymalna temperatura czynnika grzewczego [°C]	120								
Moc grzewcza [kW]****	7,8-27			8,7-30			15-49,6		
Przyrost temp. powietrza (ΔT)[°C]****	4-13			3-11			4-12		

BIEG	ELiS G W-150 2R			ELiS G W-200 2R		
	III	II	I	III	II	I
Napięcie znamionowe [V/Hz]	1N ~ 230/50					
Znamionowy pobór mocy [W]	670	480	240	1050	730	370
Znamionowy pobór prądu [A]	3	2,3	1,3	4,5	3,6	1,9
Wydajność [m ³ /h]*	6100	3900	2400	8800	5400	3100
Zasięg [m]*	7,5	4,2	2,5	7,5	4,2	2,5
Poziom ciśnienia akustycznego [dB(A)]** - 3 m	68	58	47	70	59	48
Poziom ciśnienia akustycznego [dB(A)]** - 5 m	67	57	46	69	58	47
Poziom mocy akustycznej [dB(A)]***	83	73	62	85	74	63
Masa [kg]	44,3			57,1		
Masa urządzenia napełnionego wodą [kg]	48,9			61,7		
IP	54					
Maksymalna temperatura pracy [°C]	60					
Przylącze ["]	¾ gwint zewnętrzny					
Maksymalne ciśnienie robocze [MPa]	1,6					
Maksymalna temperatura czynnika grzewczego [°C]	120					
Moc grzewcza [kW]****	18,7 – 62,9			21,4 – 71,9		
Przyrost temp. powietrza (ΔT)[°C]****	9 - 30			8 - 27		

* Zgodnie z ISO 27327-1;

** Poziom ciśnienia akustycznego podano dla pomieszczenia o średniej zdolności pochłaniania dźwięku, objętości 1500 m³, współczynnik kierunkowy Q=2;

*** Zgodnie z ISO 27327-2;

**** Zakres mocy i temperatur określony dla parametrów: III bieg wentylatora, temp. czynnika grzewczego 50/40°C temp. na wlocie do urządzenia 20°C – III bieg wentylatora, temp. czynnika grzewczego 90/70°C temp. na wlocie do urządzenia 0°C.

5. DANE TECHNICZNE ELIS G N/E

BIEG	ELIS G N-150			ELIS G N-200			ELIS G N-250		
	III	II	I	III	II	I	III	II	I
Napięcie znamionowe [V/Hz]	1N ~ 230/50								
Znamionowy pobór mocy [W]	670	480	240	1050	730	370	1400	970	490
Znamionowy pobór prądu [A]	3	2,3	1,3	4,5	3,6	1,9	6,0	4,8	2,5
Wydajność [m ³ /h]*	6550	4600	2800	9700	6300	3900	12800	8100	4900
Zasięg [m]*	8	4,5	2,8	8	4,5	2,8	8	4,5	2,8
Poziom ciśnienia akustycznego [dB(A)]** - 3 m	66	56	45	67	57	46	69	59	47
Poziom ciśnienia akustycznego [dB(A)]** - 5 m	65	55	44	66	56	45	68	58	46
Poziom mocy akustycznej [dB(A)]***	81	71	60	83	72	61	84	74	62
Masa [kg]	35,6			48,4			61,1		
IP	54								
Maksymalna temperatura pracy [°C]	60								

BIEG	ELIS G E-150			ELIS G E-200			ELIS G E-250		
	III	II	I	III	II	I	III	II	I
Napięcie znamionowe [V/Hz]	3N ~ 400/50								
Znamionowy pobór mocy wentylatora [W]	680	480	245	1050	730	370	1400	970	490
Znamionowy pobór prądu wentylatora [A]	3,0	2,3	1,3	4,5	3,6	1,9	6,0	4,8	2,5
Wydajność [m ³ /h]*	6300	4300	2600	9400	5700	3400	12400	7800	4900
Zasięg [m]*	7,5	4,5	2,8	7,5	4,5	2,8	7,5	4,5	2,8
Poziom ciśnienia akustycznego [dB(A)]** - 3 m	66	56	45	67	57	46	69	59	47
Poziom ciśnienia akustycznego [dB(A)]** - 5 m	65	55	44	66	56	45	68	58	46
Poziom mocy akustycznej [dB(A)]***	81	71	60	82	72	61	84	74	62
Masa [kg]	39,1			53,1			64,8		
IP wentylatora / IP grzałek	54 / 20								
Maksymalna temperatura pracy [°C]	60								

3N ~ 400/50 (3 stopień mocy)									
Znamionowy pobór mocy elementów grzejnych [kW]	13,5			20,5			24,5		
Znamionowy pobór prądu elementów grzejnych [A]	19,5			29,5			36,0		
Przyrost temp. powietrza (ΔT)[°C]	7,0	10	16,0	7,0	12,0	18,0	7,5	11	16,5
3N ~ 400/50 (2 stopień mocy)									
Znamionowy pobór mocy elementów grzejnych [kW]	9,0			13,5			14,0		
Znamionowy pobór prądu elementów grzejnych [A]	13,0			19,5			20,5		
Przyrost temp. powietrza (ΔT)[°C]	5,0	8,0	11,0	5,0	8,0	12,0	4,0	5,5	9,0
3N ~ 400/50 (1 stopień mocy)									
Znamionowy pobór mocy elementów grzejnych [kW]	4,5			7,0			10,5		
Znamionowy pobór prądu elementów grzejnych [A]	6,5			10,0			15,5		
Przyrost temp. powietrza (ΔT)[°C]	3,0	4,0	6,0	3,0	4,0	7,0	3,0	4,0	6,5

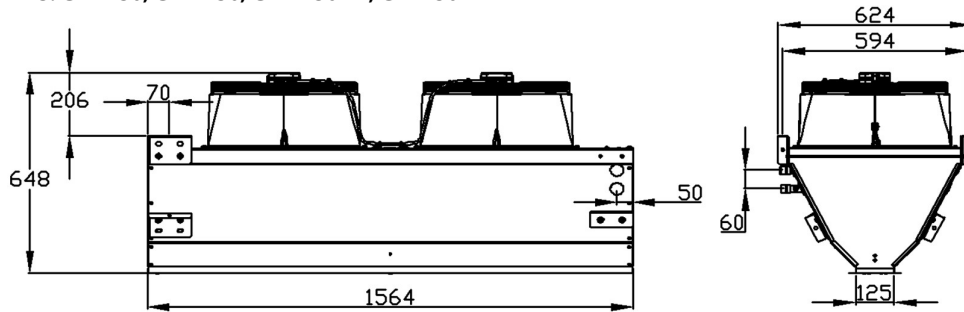
* Zgodnie z ISO 27327-1;

** Poziom ciśnienia akustycznego podano dla pomieszczenia o średniej zdolności pochłaniania dźwięku, objętości 1500 m³; współczynnik kierunkowy Q=2;

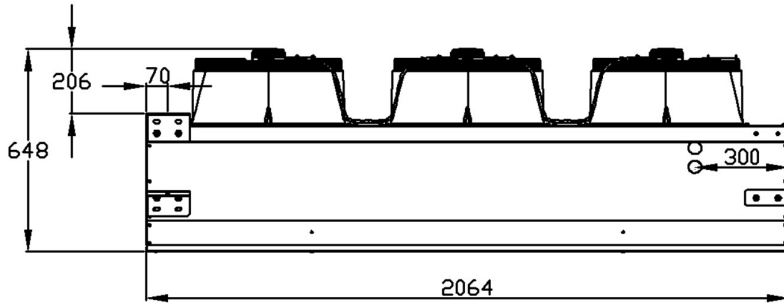
*** Zgodnie z ISO 27327-2.

6. WYMIARY

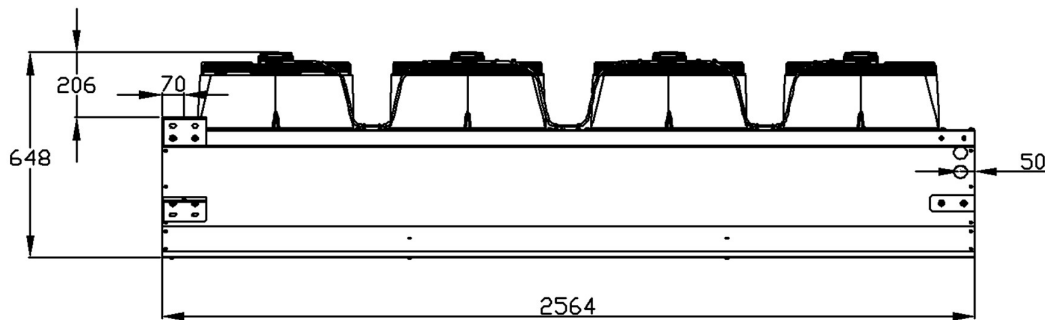
ELiS: G-N-150; G-W-150; G-W-150 2R; G-E-150



ELiS: G-N-200; G-W-200; G-W-200 2R; G-E-200



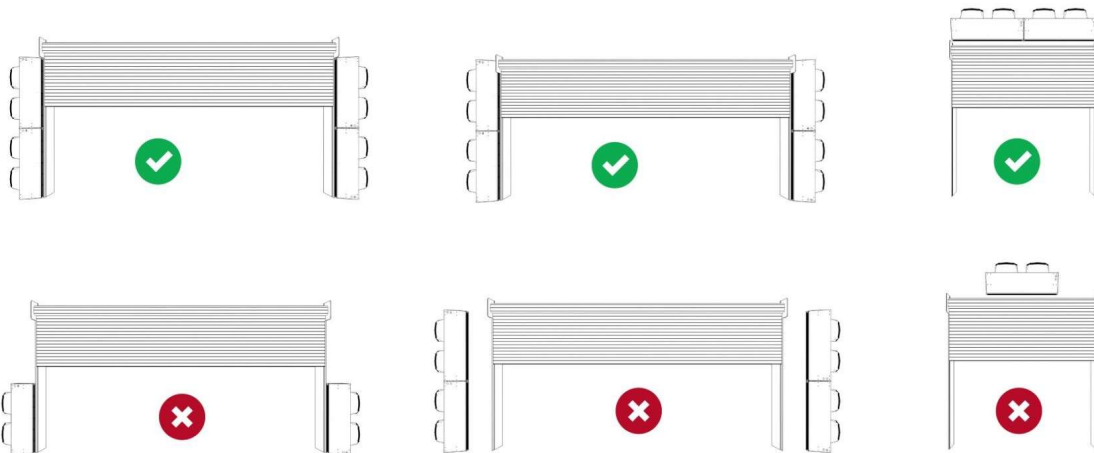
ELiS: G-N-250; G-W-250; G-E-250



7. MONTAŻ

Kurtyny powietrzne muszą być zamontowane jak najbliżej otworu bramowego i pokrywać:

- całą szerokość (dotyczy montażu poziomego),
- całą wysokość (dotyczy montażu pionowego).



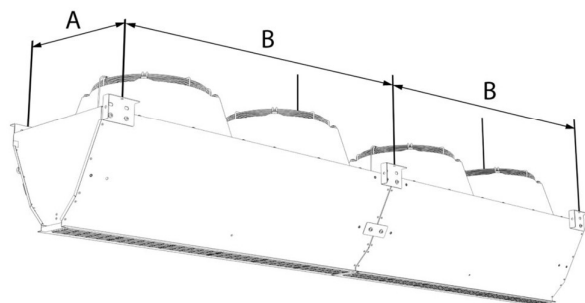
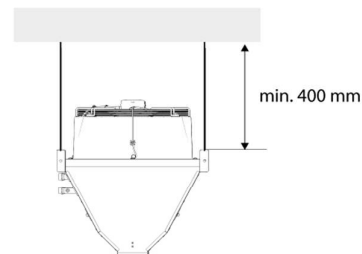
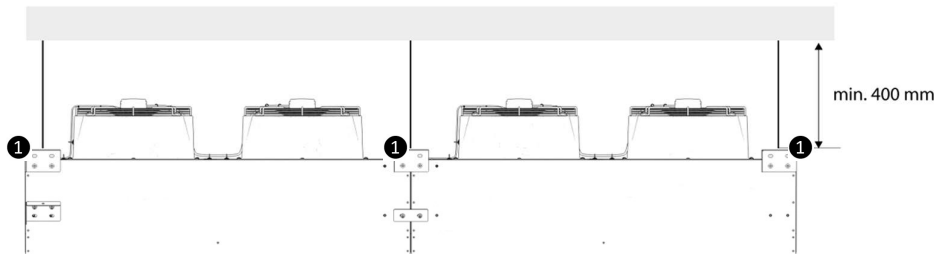
8. MONTAŻ – ZALECANE ODLEGŁOŚCI

Kurtyny ELiS G w standardzie posiadają komplet uchwytów umożliwiających montaż poziomy oraz pionowy. W obu przypadkach należy urządzenia zamontować do konstrukcji mocujących za pomocą szpilek lub dodatkowych wsporników (brak w komplecie).

Należy pamiętać, aby całkowite wymiary bramy nie przekraczały:

- w przypadku montażu pionowego jednostronnego do 8,0 m szerokości dla ELiS G-N; 7,5 m dla ELiS G-E/W, ELiS G-W-2R,
- w przypadku montażu pionowego dwustronnego 14,0 m szerokości dla ELiS G-N; 13,0 m dla ELiS G-E/W, ELiS G-W-2R,
- w przypadku montażu poziomego do 8,0 m wysokości dla ELiS G-N; 7,5 m dla ELiS G-E/W, ELiS G-W-2R,

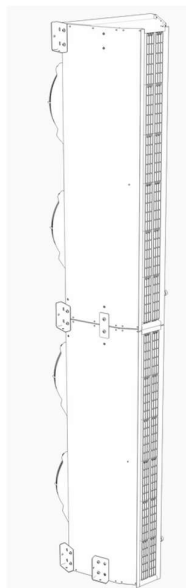
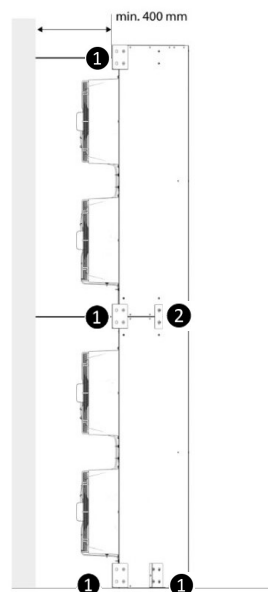
OSTRZEŻENIE  Urządzenie należy uruchamiać dopiero po poprawnie wykonanym montażu.



ELiS G	A [mm]	B [mm]
N/W/E-150	594	1494
N/W/E-200	594	1994
N/W/E-250	594	2494

RYS. 8.1 MONTAŻ PODSTROPOWY

W przypadku montażu podstropowego należy przez otwory montażowe uchwyty ❶ przełożyć szpilki M10 (4 szt. dla jednego urządzenia; 6 szt. dla dwóch urządzeń; itd.) a następnie zablokować podkładką z nakrętką. Uchwyt montażowy ❶ pomiędzy dwiema kolejnymi kurtykami jest elementem łączącym urządzenia.



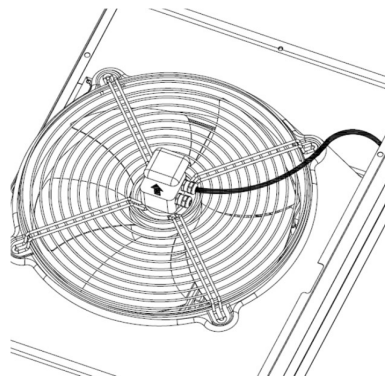
RYS. 8.2 MONTAŻ PIONOWY ZA POMOCĄ WSPORNIKÓW.

W przypadku montażu pionowego należy przytwierdzić urządzenie do posadzki korzystając z dostarczonych uchwytów (kątowników ❶), następnie kolejną kurtykę należy posadzić na poprzedniej i obie połączyć ze sobą za pomocą uchwytów (kątowników ❶ i płaskowników ❷). Dodatkowo należy zamocować urządzenie do przegrody (brak w zestawie elementów mocujących pomiędzy urządzeniem a przegrodą) wykorzystując otwory w kątownikach ❶. Wymagane jest również zakotwienie urządzenia w najwyższym punkcie instalacji. **W przypadku montażu pionowego dopuszczalny jest montaż do 4 kurtyń posadowionych na sobie.**

9. PODŁĄCZENIE INSTALACJI ELEKTRYCZNEJ

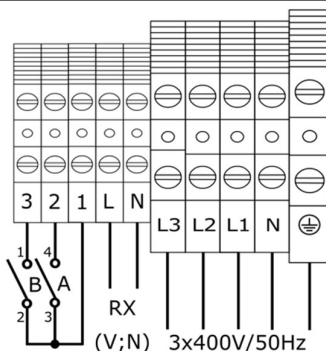
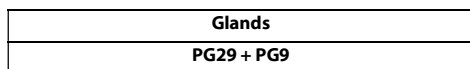
G-N-150; G-W-150; G-W-150 2R; G-E-150; G-N-200; G-W-200; G-W-200 2R; G-E-200; G-N-250; G-W-250; G-E-250;

W celu podłączenia wentylatorów kurtyny, należy zdemonstrować osłonę puszki skrajnego wentylatora (dla G-W/N/E-250 wymagane są dwa przyłącza elektryczne do wentylatorów). Przewód przeprowadzić przez dławnicę (PG 9 lub PG 11) a następnie podłączyć zasilanie (według schematu na odwrocie wieczka puszki).



G-E-150; G-E-200; G-E-250

W celu uruchomienia kurtyny należy zasilic elementy grzejne 3N 400V/50 Hz podłączając przewody do puszki znajdującej się pomiędzy dyszami wentylatorów (poprzez dławnicę PG29). Następnie podłączyć sygnał startu z rozdzielacza RX do złączek (L; N, przez dławnicę PG9).



Stopnie mocy [kW]			
ELiS G	A	B	A + B
E-150	4,5	9,0	13,5
E-200	7,0	13,5	20,5
E-250	10,5	14,5	24,5

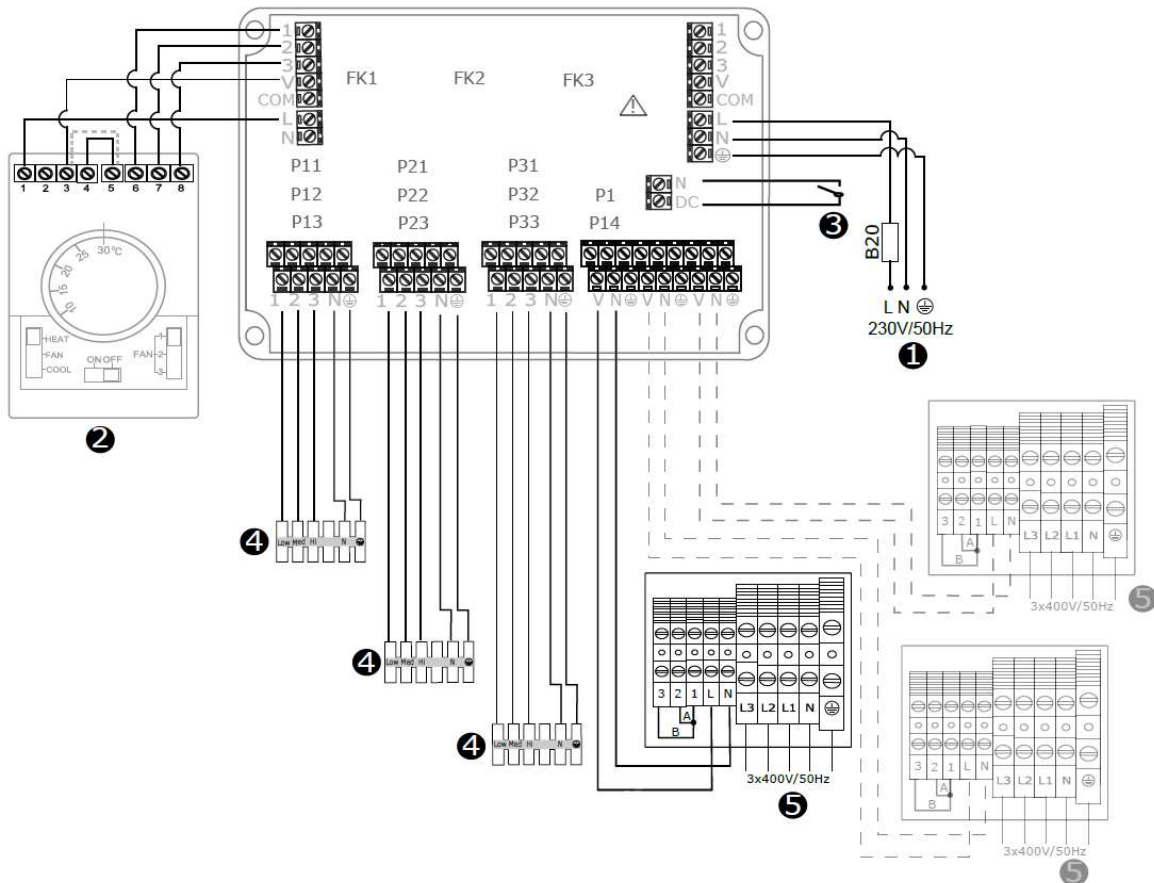
Fabrycznie urządzenie wyposażone jest w zwory kablowe podłączone na poziom mocy A+B. Możliwe jest podłączenie przełącznika mocy index: 57425

WARNING



1. Podłączenie zasilania powinno być wykonane zgodnie z dokumentacją techniczną. Instalacja urządzenia powinna zawsze przebiegać w sposób zgodny z obowiązującymi lokalnymi normami bezpieczeństwa.
2. Przekrój i typ przewodu oraz zabezpieczenia powinien zostać dobrany przez projektanta. Należy zawsze upewnić się, że odłączniki i wyłączniki ochronne są odpowiednio zwymiarowane oraz odłączają wszystkie bieguny zasilania.
3. Należy upewnić się, że podłączenie zasilania oraz sterowników do kurtyny ELiS G jest wykonane zgodnie ze specyfikacjami elektrycznymi i z instrukcjami ujętymi na schematach przyłączeń w dokumentacji technicznej.
4. Przed podłączeniem zasilania należy sprawdzić, czy napięcie w sieci jest zgodne z napięciem na tabliczce znamionowej urządzenia.
5. Przed podłączeniem kurtyny powietrznej należy sprawdzić poprawność podłączenia zasilania.
6. Uruchomienie urządzenia bez podłączenia przewodu uziemiającego jest niedozwolone.
7. Należy zabezpieczyć przewód zasilający przed wyrwaniem poprzez zaciśnięcie w dławnicach wentylatorów oraz puszcze przyłączeniowej.
8. Należy odpowiednio mocno dokręcić wszystkie przewody przyłączeniowe w kostce.
9. W przypadku pojawienia się zagrożenia spowodowanego niezamierzonym zresetowaniem wyłącznika termicznego, niniejsza kurtyna (ELiS G E) nie powinna być zasilana poprzez zewnętrzne urządzenie łączące takie jak łącznik czasowy, lub podłączona do obwodu, który jest regularnie wyłączany i załączany w trakcie użytkowania.

10. STEROWANIE - SCHEMAT PODŁĄCZENIA ELiS G-E 150; G-E 200



RX

❶ zasilanie RX 230 V / 50 Hz (OMY min. 3x1,5 mm²); dławnice 16 x PG11

❷ 3-stopniowy regulator obrotów z termostatem TS

(OMY min. 5x0,5 mm²)

- HEAT – funkcja grzania
- FAN – funkcja wentylacji (bez grzania)
- COOL – funkcja chłodzenia (odwroćenie logiki pracy względem HEAT)
- 1;2;3 – zmiana biegu wentylatora
- FAN AUTO, zworka 3-5, praca wentylatorów zależna od temperatury,
- FAN CONT, zworka 4-5, praca wentylatorów ciągła

❸ czujnik drzwiowy DCm (styki rozwarne – drzwi otwarte)

(OMY 2x0,5 mm²);

❹ podłączenie zasilania wentylatorów kurtyny ELiS G (do jednego złączka piętrowego, można podłączyć jedną kurtynę)
(OMY min. 5x1,0 mm²); dławnice PG7 + PG9

❺ zasilanie szafki nabudowanej na kurtynie 3x400 V /50Hz

- ELiS G-E-150 (min. 5x4,0 mm²)(zabezpieczenie B25)
- ELiS G-E-200 (min. 5x6,0 mm²)(zabezpieczenie B40)
- Sygnał sterujący do szafki nabudowanej na kurtynie (OMY min. 2x0,5 mm²);
- dławnice PG29 + PG9

FK1; FK2; FK3 - zabezpieczenia nadprądowe kurtyn (6,3 A);

PORADA



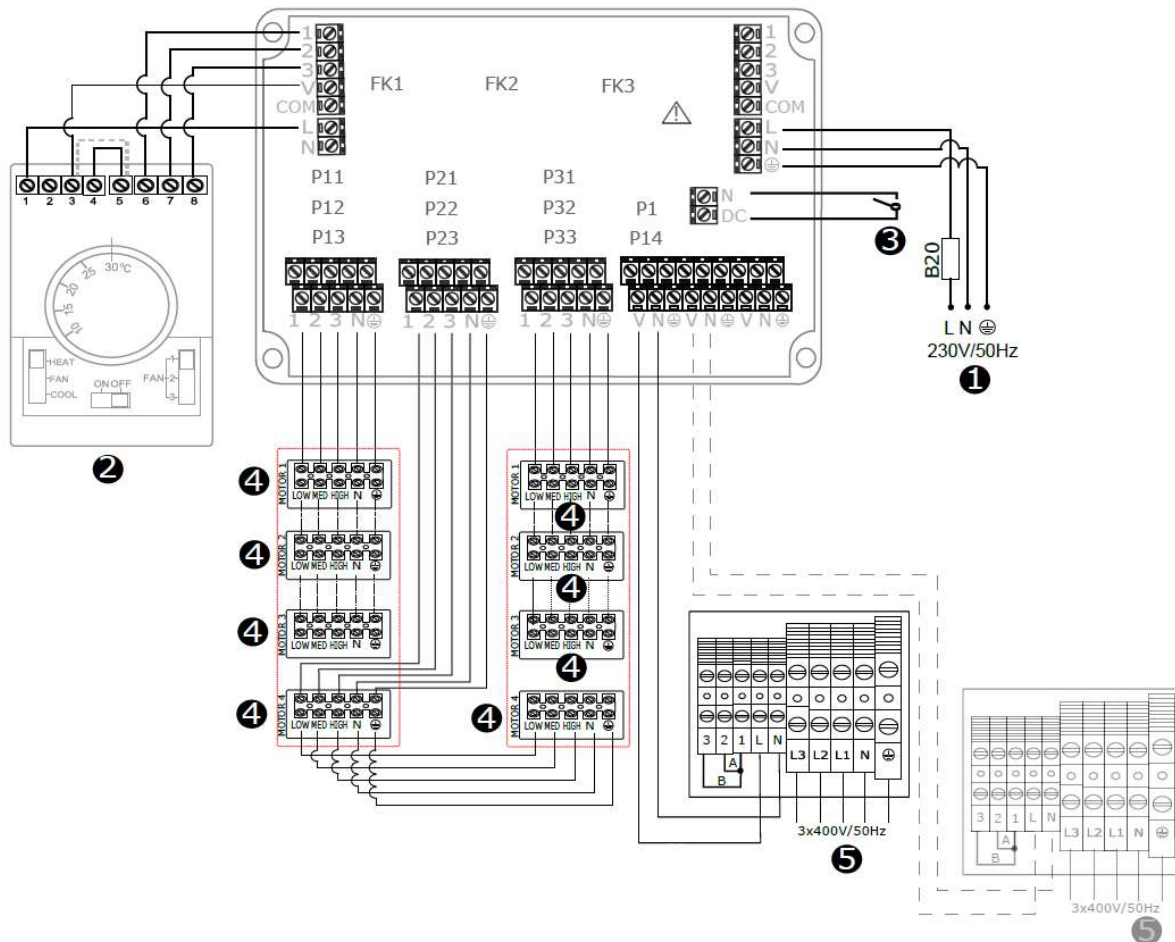
1. W celu podłączenia przewodów z rozdzielacza RX do kurtyny należy zdemonstrować skrajną osłonę puszki wentylatora, a następnie przeprowadzić przewód przez wolną dławnicę.
2. Bez czujnika drzwiowego kurtyna będzie pracowała względem nastawy z regulatora biegów z termostatem TS. Przy pracy z czujnikiem drzwiowym, kurtyna uruchomi się dopiero przy otwarciu bramy (rozwarciu styków złącza N;DC).
3. W celu podłączenia elementów grzejnych oraz sygnału grzania startu z rozdzielacza RX należy zdemonstrować osłonę puszki znajdującej się pomiędzy dyszami wentylatorów, a następnie przeprowadzić przewody przez dławnicę.

OSTRZEŻENIE



1. Do jednego rozdzielacza RX można podłączyć maksymalnie do 3 kurtyn G-E-150 lub G-E-200
2. Przed uzyskaniem dostępu do zacisków należy odłączyć wszystkie obwody zasilające.

11. STEROWANIE - SCHEMAT PODŁĄCZENIA ELiS G-E 250



RX

- ❶ zasilanie RX 230 V / 50 Hz (OMY min. 3x1,5 mm²); dławnice 16 x PG11
- ❷ 3-stopniowy regulator obrotów z termostatem TS (OMY min. 5x0,5 mm²)
 - HEAT – funkcja grzania
 - FAN – funkcja wentylacji (bez grzania)
 - COOL – funkcja chłodzenia (odwrócenie logiki pracy względem HEAT)
 - 1;2;3 – zmiana biegu wentylatora
 - FAN AUTO, zworka 3-5, praca wentylatorów zależna od temperatury,
 - FAN CONT, zworka 4-5, praca wentylatorów ciągła
- ❸ czujnik drzwiowy DCM (styki rozwarne – drzwi otwarte) (OMY 2x0,5 mm²);
- ❹ podłączenie zasilania wentylatorów kurtyny ELiS G (do jednego złącza piętrowego, można podłączyć jedną kurtynę) (OMY min. 5x1,0 mm²); dławnice PG7 + PG9
- ❺ zasilanie szafki nabudowanej na kurtynie 3x400 V /50Hz
 - ELiS G-E-250 (min. 5x6,0 mm²)(zabezpieczenie B40)
 - Sygnał sterujący do szafki nabudowanej na kurtynie (OMY min. 2x0,5 mm²)
 - dławnice PG29 + PG9

FK1; FK2; FK3 - zabezpieczenia nadprądowe kurtyń (6,3 A);

PORADA



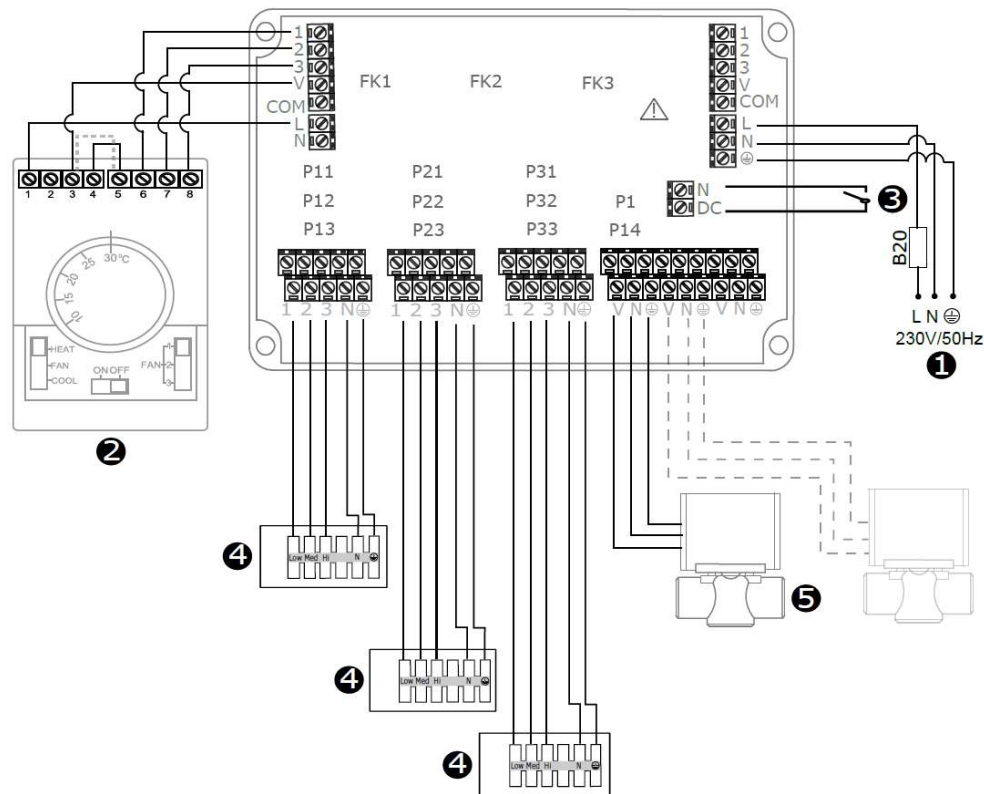
1. W celu podłączenia przewodów z rozdzielacza RX do kurtyny, należy zdemontować dwie osłony puszek wentylatorów, a następnie przeprowadzić przewody przez wolne dławnice. Fabrycznie trzy wentylatory podłączone są razem, czwarty należy podłączyć osobno do innego kanału rozdzielacza RX.
2. Bez czujnika drzwiowego kurtyna będzie pracowała względem nastawy z regulatora biegów z termostatem TS. Przy pracy z czujnikiem drzwiowym, kurtyna uruchomi się dopiero przy otwarciu bramy (rozwarciu styków złącza N/DC).
3. W celu podłączenia elementów grzejnych oraz sygnału grzania startu z rozdzielacza RX należy zdemontować osłonę puszek znajdującej się pomiędzy dyszami wentylatorów, a następnie przeprowadzić przewody przez dławnice.

OSTRZEŻENIE



1. Do jednego rozdzielacza RX można podłączyć maksymalnie do 2 kurtyń G-E-250
2. Przed uzyskaniem dostępu do zacisków należy odłączyć wszystkie obwody zasilające.

12. STEROWANIE - SCHEMAT PODŁĄCZENIA ELiS G-N-150; G-W-150; G-W-150 2R; G-N-200; G-W-200; G-W-200 2R.



RX

① zasilanie RX 230 V / 50 Hz (OMY min. 3x1,5 mm²); dławnice 16 x PG11

② 3-stopniowy regulator obrotów z termostatem TS

(OMY min. 5x1,0 mm²)

- HEAT – funkcja grzania
- FAN – funkcja wentylacji (bez grzania)
- COOL – funkcja chłodzenia (odwrońcenie logiki pracy względem HEAT)
- 1;2;3 – zmiana biegu wentylatora
- FAN AUTO, zworka 3-5, praca wentylatorów zależna od temperatury,
- FAN CONT, zworka 4-5, praca wentylatorów ciągła

③ czujnik drzwiowy DCm; (styki rozwarte – drzwi otwarte) (OMY min. 2x0,5mm²).

④ podłączenie zasilania wentylatorów kurtyny ELiS G (do jednego złącza piętrowego, można podłączyć jedną kurtynę) (OMY min. 5x1,0 mm²); dławnice PG7 + PG9

⑤ zasilanie zaworu SRQ/SRQ3d (OMY min. 3x0,75 mm²) – dotyczywersji G-W

FK1; FK2; FK3 - zabezpieczenia nadprądowe kurtyn (6,3 A);

PORADA



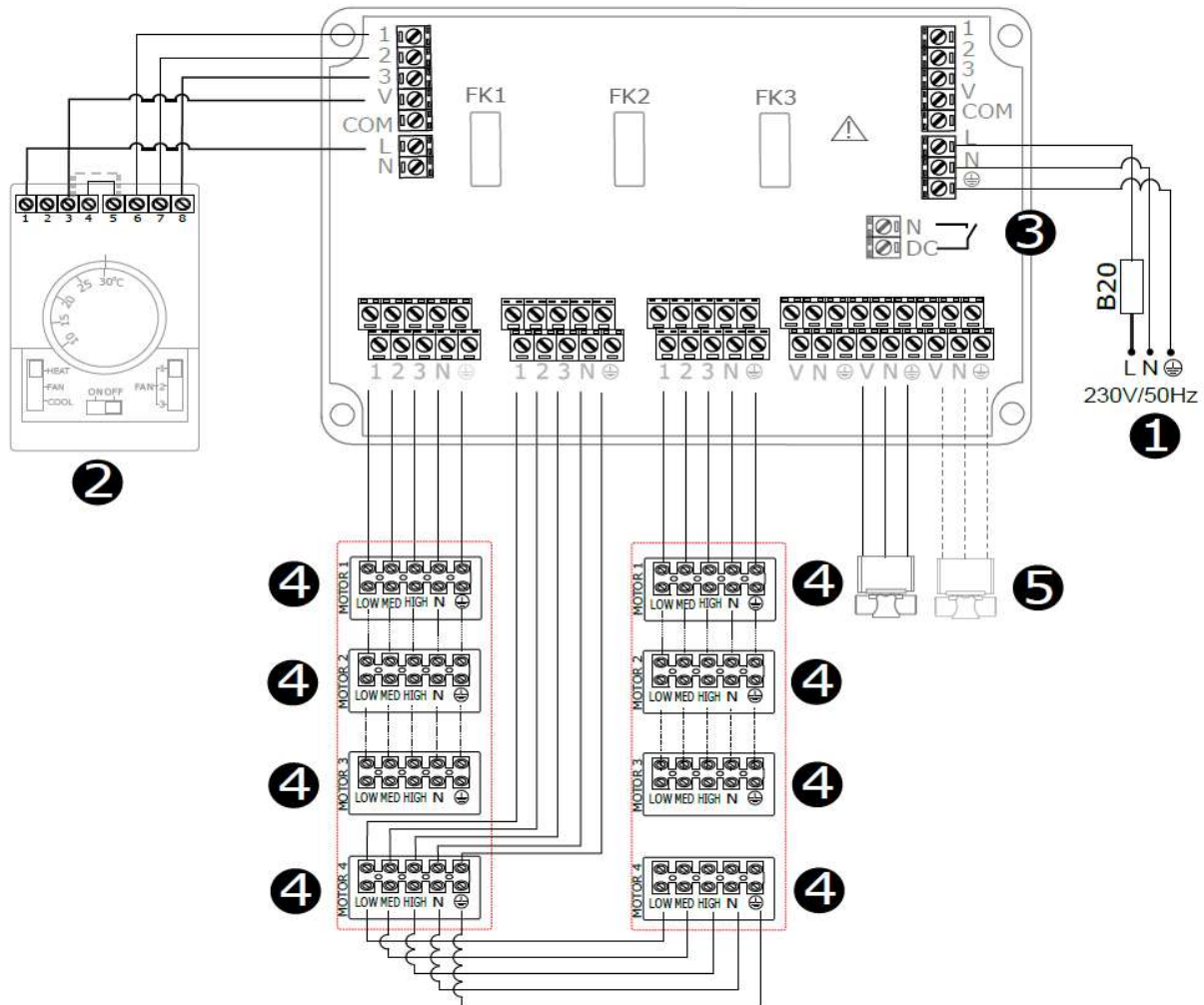
1. W celu podłączenia przewodów z rozdzielacza RX do kurtyny należy zdemontować skrajną osłonę puszek wentylatora, a następnie przeprowadzić przewód przez wolną dławnicę.
2. Bez czujnika drzwiowego kurtyna będzie pracowała względem nastawy z regulatora biegów z termostatem TS. Przy pracy z czujnikiem drzwiowym, kurtyna uruchomi się dopiero przy otwarciu bramy (rozwarciu styków złącza N/DC).

OSTRZEŻENIE



1. Do jednego rozdzielacza RX można podłączyć maksymalnie do 3 kurtyn G-W/N-150 lub G-W/N-200.

13. STEROWANIE - SCHEMAT PODŁĄCZENIA ELiS G-N-250; G-W-250



RX

- ❶ zasilanie RX 230 V / 50 Hz (OMY min. 3x1,5 mm²); dławnice 16 x PG11
- ❷ 3-stopniowy regulator obrotów z termostatem TS (OMY min. 5x1,0 mm²)
 - HEAT – funkcja grzania
 - FAN – funkcja wentylacji (bez grzania)
 - COOL – funkcja chłodzenia (odwroćenie logiki pracy względem HEAT)
 - 1;2;3 – zmiana biegu wentylatora
 - FAN AUTO, zworka 3-5, praca wentylatorów zależna od temperatury,
 - FAN CONT, zworka 4-5, praca wentylatorów ciągła
- ❸ czujnik drzwiowy DCm; (styki rozwarte – drzwi otwarte) (OMY min. 2x0,5mm²).
- ❹ podłączenie zasilania wentylatorów kurtyny ELiS G (OMY min. 5x1,0 mm²); dławnice PG7 + PG9
- ❺ zasilanie zaworu SRQ/SRQ3d (OMY min. 3x0,75 mm²) – dotyczy wersji G-W

FK1; FK2; FK3 - zabezpieczenia nadprądowe kurtyn (6,3 A);



PORADA

1. W celu podłączenia przewodów z rozdzielacza RX do kurtyny należy zdemontować dwie osłony puszek wentylatorów, a następnie przeprowadzić przewody przez wolne dławnice. Fabrycznie trzy wentylatory podłączone są razem, czwarty należy podłączyć osobno do innego kanału rozdzielacza RX.
2. Bez czujnika drzwiowego kurtyna będzie pracowała względem nastawy z regulatora biegów z termostatem TS. Przy pracy z czujnikiem drzwiowym, kurtyna uruchomi się dopiero przy otwarciu bramy (rozwarciu styków złącza N;DC).



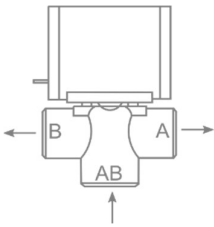
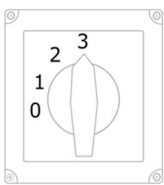
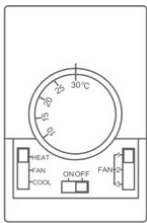
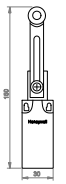
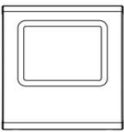
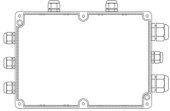
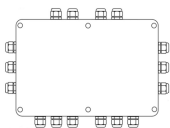
OSTRZEŻENIE

1. Do jednego rozdzielacza RX można podłączyć maksymalnie do 2 kurtyn G-W/N-250.

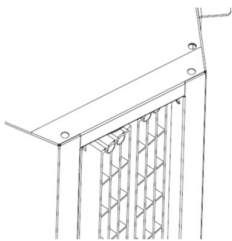
14. STEROWANIE - DRV ELiS + T-BOX

W przypadku podłączenia modułu sterującego DRV ELiS wraz z inteligentnym sterownikiem z wyświetlaczem dotykowym T-BOX do rozdzielacza RX, należy to zrobić w miejsce sterownika TS i skorzystać ze schematów dostępnych w dokumentacjach rozdzielacza RX. W takim przypadku podłączenie kurtyń do rozdzielacza RX jest adekwatne do tego przedstawionego w rozdziałach od 10 do 13

15. ELEMENTY AUTOMATYKI

SRQ3d 3/4" – Zawór trójdrogowy 3/4" z siłownikiem SRQ2d 3/4" – Zawór dwudrogowy 3/4" z siłownikiem	
	<p>Stopień ochrony: IP20 Napięcie zasilania: 200 – 240V 50/60Hz Maks. temperatura czynnika: +93°C Maks. ciśnienie robocze: 2,1 MPa Kvs: 6,5 m³/h Montaż: na zasilaniu wymiennika czynnikiem grzewczym Czas przebiegu: 18 s A – doprowadzenie czynnika grzewczego na rurę powrotną kurtyny AB – doprowadzenie czynnika grzewczego do zaworu B – doprowadzenie czynnika grzewczego do kurtyny</p>
Przełącznik zmiany mocy grzewczej	
	<p>Stopień ochrony: IP55 Napięcie zasilania: 230/50 Hz Obciążalność styków: 10 A Zakres temperatury pracy: 0 ... +40 °C</p>
TS – 3-stopniowy regulator z wbudowanym termostatem	
	<p>Zakres nastawy temperatury: +10 ... +30 °C Zakres temperatury pracy: 0 ... +40 °C Stopień ochrony: IP30 Obciążalność styków: indukcyjne 5 A Napięcie zasilania: 230 V/50 Hz FAN AUTO – praca wentylatorów zależna od temp. FAN CONT - praca wentylatorów ciągła HEAT – funkcja grzania FAN – dla FAN CONT dezaktywacja pracy termostatu COOL – odwrócenie logiki pracy termostatu</p>
DCm – mechaniczny czujnik drzwiowy	
	<p>Zakres temperatur pracy: -10 ÷ +80 °C Stopień ochrony: IP66 Zwory: 1xNC i 1xNO Obciążalność styków: rezystancyjna – 10 A indukcyjne – 3 A Maksymalne napięcie styków: 300 VAC lub 250 VDC</p>
T-box – sterownik z ekranem dotykowym	
	<p>Zakres nastawy temperatury: +5 ... +45 °C Zakres temperatury pracy: 0 ... +60 °C Stopień ochrony: IP30 Napięcie zasilania: 24 VDC</p>
DRV ELiS – moduł sterujący	
	<p>Zakres temperatury pracy: 0 ... +60 °C Stopień ochrony: IP54 Napięcie zasilania: 230 V/50 Hz DRV ELiS może być podłączony do kurtyny ELiS G jedynie przez rozdzielacz RX</p>
RX – rozdzielacz sygnału	
	<p>Zakres temperatury pracy: 0 ... +40 °C Stopień ochrony: IP54 Napięcie zasilania: 230 V/50 Hz Do jednego rozdzielacza RX można podłączyć maksymalnie do 3 kurtyń G-N/W/E-150 lub G-N/W/E-200 oraz do 2 kurtyń G-N/W/E-250</p>

16. REGULACJA KRATKI WYLOTOWEJ



Urządzenie wyposażone jest w regulowane kratki wylotowe. Kratkę naprowadzającą powietrze nadmuchiwane należy regulować ręcznie. Zakres regulacji to $\pm 17^\circ$. W celu zmiany kierunku powietrza wylotowego należy równocześnie na obu końcach kratki ustawić ten sam kąt. Nadmuchiwanie powietrza z kratki wylotowej powinien być ukierunkowany jak najbliższej płaszczyzny otworu drzwiowego (uwzględniając warunki panujące przy otworze drzwiowym, w tym napór wiatru i podciśnienie).



PORADA

W celu zwiększenia skuteczności bariery powietrznej podczas naporu wiatru należy strumień kurtyny skierować na zewnątrz, w celu stworzenia oporu dla czynników zewnętrznych.

17. PODŁĄCZENIE INSTALACJI HYDRAULICZNEJ

1. Przed podłączeniem instalacji wodnej należy odłączyć zasilanie kurtyny.
2. Przyłącze powinno być wykonane w sposób niepowodujący naprężeń. Zalecane jest stosowanie przewodów elastycznych doprowadzających czynnik grzewczy.
3. Zasilanie wody należy podłączyć do króćca oznaczonego czerwoną strzałką.
4. Instalacja z czynnikiem grzewczym musi być zabezpieczona przed wzrostem ciśnienia czynnika grzewczego ponad dopuszczalną wartość (1,6 MPa).
5. Przed uruchomieniem urządzenia należy sprawdzić prawidłowość podłączenia przewodów z czynnikiem grzewczym oraz szczelność instalacji.
6. Podczas montażu instalacji należy bezwzględnie unieruchomić króćce przyłączeniowe wymiennika (kontrować).
7. Po napełnieniu układu czynnikiem, należy sprawdzić szczelność połączeń hydraulicznych w tym wbudowanego odpowietrznika.

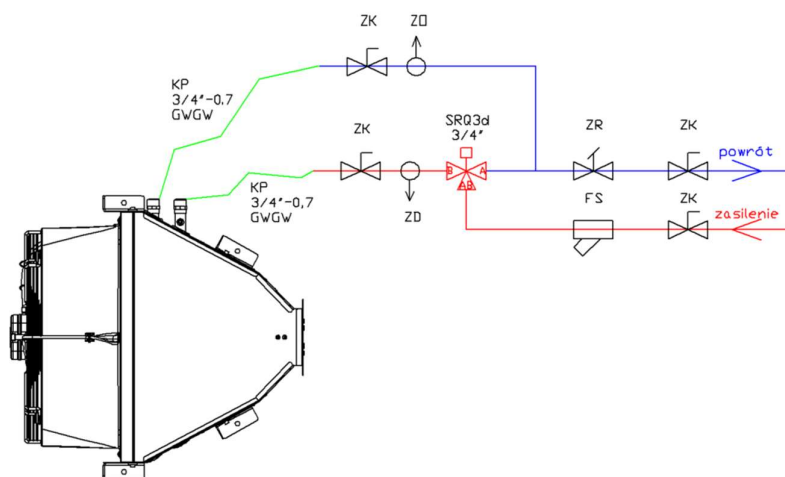
OSTRZEŻENIE



PORADA



1. Zalecane jest zastosowanie zaworów odpowietrzających w najwyższym punkcie instalacji.
2. W przypadku, gdy woda z urządzenia zostaje spuszczone na dłuższy okres czasu, rurki wymiennika należy przedmuchać sprężonym powietrzem.
3. Instalacja powinna być wykonana w taki sposób, aby w razie awarii istniała możliwość przeprowadzenia demontażu urządzenia (zalecane użycie przewodów elastycznych). W tym celu należy zastosować zawory odcinające tuż przy urządzeniu (rys. 16.1).



ZK – zawór kulowy
 ZO – zawór odpowietrzający
 ZR – zawór równoważący
 ZD – zawór odwadniający
 FS – filtr siatkowy
 KP – przewody elastyczne
 SRQ3d – zawór 3-drogowy siłownikiem ON/OFF

RYS. 16.1. PRZYKŁADOWY UKŁAD PODŁĄCZENIA ELEMENTÓW HYDRAULICZNYCH.

18. PARAMETRY CZYNNIKA GRZEWczego

Wodny wymiennik ciepła można zasilać wodą lub roztworami glikolu o stężeniu do 60%. Rurki wymiennika ciepła są wykonane z miedzi. Medium zasilające nie powinno powodować korozji tego materiału. W szczególności należy zapewnić parametry jak poniżej w tabeli.

Parametr	Wartość
pH	7,5-9,0
Zanieczyszczenia	brak osadów, cząstek
Całkowita twardość	$[Ca^{2+}, Mg^{2+}] / [HCO_3^-] > 0,5$
Olej i smar	<1 mg/l
Tlen	<0.1 mg/l
HCO ³	60-300 mg/l
Amoniak	< 1.0 mg/l
Siarczki	< 0.05 mg/l
Chlorki, Cl	<100 mg/l

19. EKSPLOATACJA

OSTRZEŻENIE



1. Urządzenie musi podlegać okresowym przeglądom. Czynności te powinny być wykonane wyłącznie przez wykwalifikowany personel. Przy nieprawidłowej pracy urządzenia należy je niezwłocznie wyłączyć i skontaktować się ze WSPARCIEM SERWISOWYM firmy FLOWAIR.
2. Nie należy podejmować samodzielnych prób naprawy, przeniesienia, modyfikacji ani ponownej instalacji urządzenia. Wykonywanie tych czynności przez nieupoważniony do tego personel może stać się przyczyną porażenia prądem elektrycznym lub pożaru.
3. Nie wolno używać uszkodzonego urządzenia. Producent nie bierze odpowiedzialności za szkody wynikłe podczas użytkowania uszkodzonego urządzenia.
4. Urządzenie przeznaczone jest do pracy wewnątrz pomieszczeń, w temperaturach powyżej 0°C. W niskich temperaturach (poniżej 0°C) istnieje niebezpieczeństwo zamarznięcia czynnika.

Producent nie ponosi odpowiedzialności za uszkodzenia wymiennika ciepła będące skutkiem zamarznięcia czynnika w wymienniku.

PORADA



1. Elementy grzejne wyposażone są w zabezpieczenia termiczne, które w przypadku zbyt wysokiej temperatury w ich otoczeniu rozłączy układ grzania. Możliwość ponownego załączenia grzania może nastąpić po obniżeniu temperatury oraz ręcznym resetie poprzez włączenie i wyłączenie grzania np. termostatem, Przy powtarzającym się rozłączaniu grzania należy skontaktować się z wykwalifikowanym serwisem.
2. W przypadku kurtyń w wersji wodnej, gdy woda z urządzenia zostaje spuszczone na dłuższy okres czasu, rurki wymiennika należy przedmuchać sprężonym powietrzem.

20. CZYSZCZENIE I KONSERWACJA

Okresowo należy sprawdzać (min. dwa razy w roku) stan zabrudzenia wymiennika ciepła (ELIS G W), grzałek elektrycznych (ELIS G E). Zapchanie części wlotu powietrza powoduje spadek mocy grzewczej urządzenia oraz niekorzystnie wpływa na pracę wentylatora, a także w przypadku grzałek elektrycznych może spowodować trwałą utratę parametrów znamionowych.

Czyszczenie wymiennika należy wykonać stosując się do poniższych wytycznych:

- Na czas przeprowadzania czyszczenia należy odłączyć zasilanie elektryczne.
- Należy zdemontować wentylatory i poprzez dysze powietrza wyczyścić wymiennik.
- Podczas czyszczenia wymiennika należy uważać, aby nie pozaginać aluminiowych lamel.
- Nie zaleca się używania ostrych przedmiotów do czyszczenia, ze względu na możliwość uszkodzenia lamel.
- Zaleca się czyszczenie sprężonym powietrzem.
Nie dopuszcza się czyszczenia wymiennika wodą!
- Czyszczenie należy wykonywać ruchami wzdłuż lamel, kierując dyszę nadmuchową prostopadle do wymiennika.

PORADA



21. ZGODNOŚĆ Z DYREKTYWĄ WEEE 2012/19/UE

Prowadzenie działalności bez szkody dla środowiska i przestrzeganie zasad prawidłowego postępowania ze zużytym sprzętem elektrycznym i elektronicznym to dla firmy FLOWAIR priorytet.

Jako producent takich urządzeń współpracujemy z organizacją Odzysku Sprzętu Elektrycznego i Elektronicznego z firmą Elektro-System.

Symbol przekreślonego kosza na śmieci umieszczany na sprzęcie, opakowaniu lub dokumentach do niego dołączonych oznacza, że produktu nie wolno wyrzucać łącznie z innymi odpadami. Obowiązkiem użytkownika jest przekazanie zużytego sprzętu do wyznaczonego punktu zbiorki w celu właściwego jego przetworzenia. Oznakowanie oznacza jednocześnie, że sprzęt został wprowadzony do obrotu po dniu 13 sierpnia 2005 r.



Informacja o systemie zbierania zużytego sprzętu elektrycznego i elektronicznego.

Mogą Państwo:

- oddać elektrośmieci nie wychodząc z domu i nie ponosząc żadnych kosztów. Electro-System wspólnie z REMONDIS stworzył usługę bezpłatnego odbioru wielkogabarytowego sprzętu elektrycznego i elektronicznego. Więcej informacji na stronie www.deczydujesz.pl
- zostawić zużyty sprzęt w sklepie, w którym kupowane jest nowe urządzenie - dotyczy sprzętu tego samego rodzaju i pełniącego tą samą funkcję.
- odnieść zużyty sprzęt do punktu zbierania. Informację o najbliższej lokalizacji można znaleźć na gminnej stronie internetowej lub tablicy ogłoszeń urzędu gminy.
- zostawić sprzęt w punkcie serwisowym. Jeżeli naprawa sprzętu jest nieopłacalna lub niemożliwa ze względów technicznych, serwis jest zobowiązany do nieodpłatnego przyjęcia tego urządzenia.

PAMIĘTAJMY:

Nie wolno wyrzucać zużytego sprzętu łącznie z innymi odpadami! Grożą za to kary pieniężne. Odpowiednie postępowanie ze zużytym sprzętem zapobiega potencjalnym negatywnym konsekwencjom dla środowiska naturalnego i ludzkiego zdrowia. Jednocześnie oszczędzamy naturalne zasoby naszej Ziemi, wykorzystując powtórnie surowce uzyskane z przetwarzania sprzętu

1. ВАЖНАЯ ИНФОРМАЦИЯ

Мы приложили все усилия, чтобы сделать это руководство максимально понятным. Однако, если у вас возникнут трудности, проблемы или вопросы, пожалуйста, свяжитесь со отделом поддержки FLOWAIR по адресу: info@flowair.pl.

Также посетите наш сайт www.flowair.com, где вы найдете советы по монтажу.

В данном руководстве вы найдете важную информацию по технике безопасности и советы, обозначенные как внизу:



ВНИМАНИЕ

- Опасные действия, которые могут привести к серьезным травмам или смерти. Перед началом работы прочтите все предупреждения.



ПРЕДОСТЕРЕЖЕНИЕ

- Небезопасные действия, которые, если их не предотвратить, могут привести к повреждению оборудования или легким травмам. Перед началом работы прочтите все предостережения.



СОВЕТ

- Полезные советы для пользователей и монтажников.

ВАЖНАЯ ИНФОРМАЦИЯ ПО БЕЗОПАСНОСТИ:



СОВЕТ

1. Перед установкой, подключением, запуском, использованием и обслуживанием устройства, пожалуйста, полностью прочитайте данное руководство.
2. После получения изделия проверьте, не было ли оно повреждено при транспортировке. Если изделие кажется поврежденным, НЕ НАЧИНАЙТЕ МОНТАЖ УСТРОЙСТВА; вместо этого необходимо немедленно сообщить о повреждении перевозчику.
3. Устройство должно быть установлено устойчиво и в соответствии с данной документацией, в легкодоступном месте, что обеспечивает возможность проведения ремонта и планового обслуживания, а также позволяет легко и безопасно его демонтировать.
4. Устойчивость и долговечность монтажа устройства зависит от конструкции здания (в частности, стен и потолка). Лицо, выполняющее монтаж, должно учитывать эти условия при установке устройства.
5. Техническая документация должна храниться в безопасном месте, легко доступном для пользователя и специалиста по обслуживанию.
6. Заводская табличка расположена рядом с кабельными вводами на верхней части устройства.
7. После установки всегда проверяйте работу устройства.
8. Устройство не должно устанавливаться непосредственно под розеткой.



ПРЕДОСТЕРЕЖЕНИЕ

1. Подключение питания должно выполняться только уполномоченным лицом.
2. Устройство может включиться автоматически (при обнаружении движения в зоне датчика).
3. Устройство не оснащено термостатом, регулирующим температуру в помещении. Не используйте устройство в небольших помещениях, где есть люди, которые не могут покинуть помещение в одиночку. Вышеуказанное не относится к помещениям с постоянным наблюдением.
4. Устройство требует периодических проверок в соответствии с инструкциями, приведенными в данном руководстве.
5. Не вешайте и не давите на устройство.
6. Не ставьте никаких предметов на устройство и не вешайте ничего на гибкие шланги.
7. Изделие должно храниться и собираться в недоступном для маленьких детей месте.
8. Устройство предназначено для работы в помещениях с максимальной запыленностью воздуха 0,3 г/м³. Устройство имеет элементы из алюминия, меди и оцинкованной стали и не может использоваться в коррозионной среде.
9. Оборудование нельзя использовать в среде, где присутствует масляный туман.
10. Данное оборудование может использоваться детьми не моложе 8 лет, лицами с ограниченными физическими и умственными способностями, а также лицами, не имеющими опыта и знаний об оборудовании, при условии обеспечения надзора или инструктажа по правильному и безопасному использованию оборудования и понимания возможных угроз. Устройство не может быть использовано детьми для игр. Дети без присмотра не должны чистить или обслуживать оборудование.
11. Устройство в электрическом исполнении (ELiS G-E) при первом запуске или после временного простоя может издавать запах горелой пыли.



ВНИМАНИЕ

1. Устройство работает под опасным напряжением. Всегда отключайте устройство от источника питания перед обслуживанием или доступом к его внутренним компонентам.
2. Не вставляйте пальцы или какие-либо предметы внутрь устройства.
3. Не накрывайте устройство.

2. ОБЩАЯ ИНФОРМАЦИЯ

Воздушная завеса ELiS G - это высококачественное устройство, которое, создавая воздушный барьер, снижает потери теплообмена. Устройство предназначено ТОЛЬКО для использования внутри помещений. Воздушная завеса ELiS G предназначена для горизонтальной установки над дверным проемом или вертикальной установки с дверным проемом с максимальной высотой 8,0 м.

Воздушная завеса доступна в холодном исполнении (без нагрева), с электрическим или водяным теплообменником:

ELiS G E-150; ELiS G E-200; ELiS G E-250 - воздушные завесы с электрическим теплообменником и максимальной длиной потока 7,5 м*;

ELiS G W-150; ELiS G W-200; ELiS G W-250 - воздушные завесы с водяным теплообменником и максимальной длиной потока 7,5 м*;

ELiS G W-150 2R; ELiS G W-200 2R - воздушные завесы с водяным теплообменником и максимальной длиной потока 7,5 м*;

ELiS G N-150; ELiS G N-200; ELiS G N-250 - воздушные завесы без теплообменника, и длиной потока 8,0 м*.

* в соответствии с ISO 27327-1



РИС. 2.1 НАПРАВЛЕНИЕ ВОЗДУШНОГО ПОТОКА.

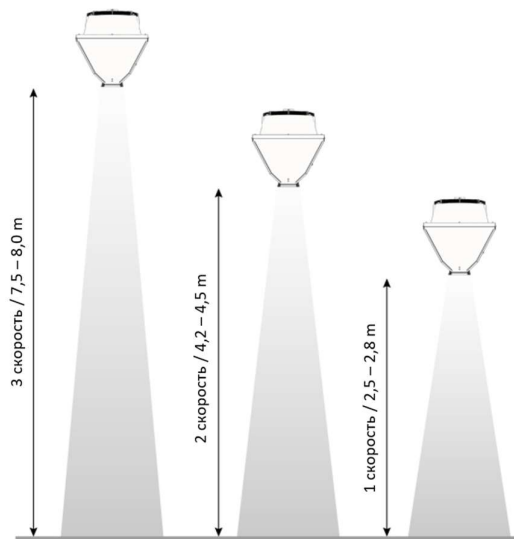


РИС. 2.2 ДИАПАЗОН ВОЗДУШНОГО ПОТОКА НА КАЖДОЙ СКОРОСТИ.

СОВЕТ



1. В зданиях, где требуется тепловой комфорт, рекомендуется использовать воздушную завесу с подогревом (W или E).
2. Отрицательное давление в здании значительно снижает эффективность воздушного барьера, система вентиляции должна быть сбалансирована.
3. При скорости ветра более 3 м/с для повышения комфорта пользователя используйте завесу с нагревом.

3. КОНСТРУКЦИЯ

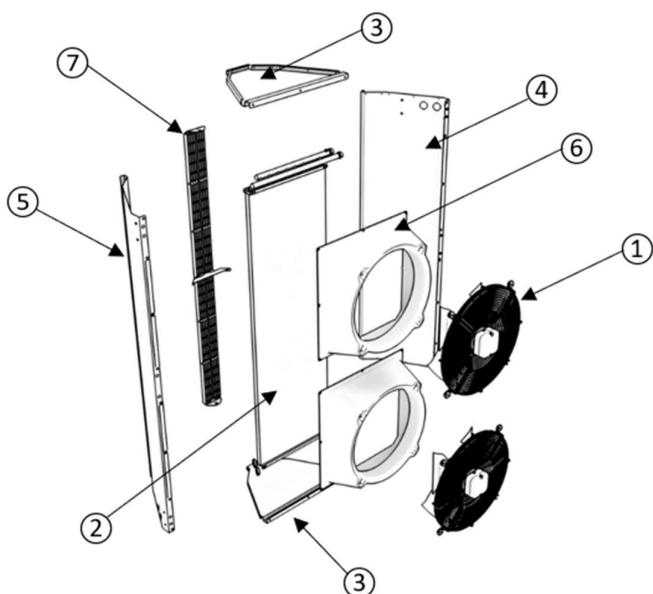


РИС. 3.1 СТРОИТЕЛЬСТВО ELiS G N/W/E.

1. Вентилятор
2. Теплообменник (W - водяные. E - электрические нагреватели)
3. Боковая крышка
4. Левая крышка
5. Правая крышка
6. Форсунка
7. Выходная решетка

4. ТЕХНИЧЕСКИЕ ДАННЫЕ ELiS G W

СКОРОСТЬ	ELiS G W-150			ELiS G W-200			ELiS G W-250		
	III	II	I	III	II	I	III	II	I
Номинальное напряжение [В/Гц]	1N ~ 230/50								
Номинальное потребление мощности [Вт]	670	480	240	1050	730	370	1400	970	490
Номинальное потребление тока [А]	3	2,3	1,3	4,5	3,6	1,9	6,0	4,8	2,5
Производительность [м³/ч]*	6200	4000	2500	9100	5600	3300	12000	7200	4300
Длина потока воздуха [м]*	7,5	4,2	2,5	7,5	4,2	2,5	7,5	4,2	2,5
Уровень акустического давления [дБ(А)]** - 3 м	67	57	46	69	58	47	70	59	48
Уровень акустического давления [дБ(А)]** - 5 м	66	56	45	68	57	46	69	58	47
Уровень акустической мощности [дБ(А)]***	82	72	61	84	73	62	85	74	63
Вес [кг]	40,7			53,5			68,1		
Вес устройства, наполненного водой [кг]	43,0			55,8			71,8		
IP	54								
Макс. рабочая температура [°C]	60								
Патрубок ["]	¾ внешняя резьба								
Макс. рабочее давление [МПа]	1,6								
Макс. температура теплоносителя [°C]	120								
Мощность нагрева [кВт]****	7,8-27			8,7-30			15-49,6		
Повышение температуры воздуха (ΔT)[°C]****	4-13			3-11			4-12		

СКОРОСТЬ	ELiS G W-150 2R			ELiS G W-200 2R		
	III	II	I	III	II	I
Номинальное напряжение [В/Гц]	1N ~ 230/50					
Номинальное потребление мощности [Вт]	670	480	240	1050	730	370
Номинальное потребление тока [А]	3	2,3	1,3	4,5	3,6	1,9
Производительность [м³/ч]*	6100	3900	2400	8800	5400	3100
Длина потока воздуха [м]*	7,5	4,2	2,5	7,5	4,2	2,5
Уровень акустического давления [дБ(А)]** - 3 м	68	58	47	70	59	48
Уровень акустического давления [дБ(А)]** - 5 м	67	57	46	69	58	47
Уровень акустической мощности [дБ(А)]***	83	73	62	85	74	63
Вес [кг]	44,3			57,1		
Вес устройства, наполненного водой [кг]	48,9			61,7		
IP	54					
Макс. рабочая температура [°C]	60					
Патрубок ["]	¾ внешняя резьба					
Макс. рабочее давление [МПа]	1,6					
Макс. температура теплоносителя [°C]	120					
Мощность нагрева [кВт]****	18,7 – 62,9			21,4 – 71,9		
Повышение температуры воздуха (ΔT)[°C]****	9 - 30			8 - 27		

* в соответствии с ISO 27327-1;

** Уровень акустического давления ДЛЯ ПОМЕЩЕНИЯ объемом 1500 м³ со средним коэффициентом звукопоглощения, коэффициент направленности: Q=2;

*** Уровень акустической мощности в соответствии с ISO 27327-2;

**** Диапазон мощностей нагрева и температур, указанных для параметров: III скорость вентилятора, температура теплоносителя 50/40°C температура на входе прибора 20°C - III скорость вентилятора, температура теплоносителя 90/70°C температура на входе прибора 0°C.

5. ТЕХНИЧЕСКИЕ ДАННЫЕ ELiS G N/E

СКОРОСТЬ	ELiS G N-150			ELiS G N-200			ELiS G N-250		
	III	II	I	III	II	I	III	II	I
Номинальное напряжение [В/Гц]	1N ~ 230/50								
Номинальное потребление мощности [Вт]	670	480	240	1050	730	370	1400	970	490
Номинальное потребление тока [А]	3	2,3	1,3	4,5	3,6	1,9	6,0	4,8	2,5
Производительность [м³/ч]*	6550	4600	2800	9700	6300	3900	12800	8100	4900
Длина потока воздуха [м]*	8	4,5	2,8	8	4,5	2,8	8	4,5	2,8
Уровень акустического давления [дБ(A)]** - 3 м	66	56	45	67	57	46	69	59	47
Уровень акустического давления [дБ(A)]** - 5 м	65	55	44	66	56	45	68	58	46
Уровень акустической мощности [дБ(A)]***	81	71	60	83	72	61	84	74	62
Вес [кг]	35,6			48,4			61,1		
IP	54								
Макс. рабочая температура [°C]	60								

СКОРОСТЬ	ELiS G E-150			ELiS G E-200			ELiS G E-250		
	III	II	I	III	II	I	III	II	I
Номинальное напряжение [В/Гц]	3N ~ 400/50								
Номинальное потребление мощности [Вт]	680	480	245	1050	730	370	1400	970	490
Номинальное потребление тока [А]	3,0	2,3	1,3	4,5	3,6	1,9	6,0	4,8	2,5
Производительность [м³/ч]*	6300	4300	2600	9400	5700	3400	12400	7800	4900
Длина потока воздуха [м]*	7,5	4,5	2,8	7,5	4,5	2,8	7,5	4,5	2,8
Уровень акустического давления [дБ(A)]** - 3 м	66	56	45	67	57	46	69	59	47
Уровень акустического давления [дБ(A)]** - 5 м	65	55	44	66	56	45	68	58	46
Уровень акустической мощности [дБ(A)]***	81	71	60	82	72	61	84	74	62
Вес [кг]	39,1			53,1			64,8		
IP вентилятора/ IP нагревательных элементов	54 / 20								
Макс. рабочая температура [°C]	60								
3N ~ 400/50 (3 ступень мощности)									
Номинальное потребление мощности [кВт]	13,5			20,5			24,5		
Номинальное потребление тока [А]	19,5			29,5			36,0		
Повышение температуры воздуха (ΔT) [°C]	7,0	10	16,0	7,0	12,0	18,0	7,5	11	16,5
3N ~ 400/50 (2 ступень мощности)									
Номинальное потребление мощности [кВт]	9,0			13,5			14,0		
Номинальное потребление тока [А]	13,0			19,5			20,5		
Повышение температуры воздуха (ΔT) [°C]	5,0	8,0	11,0	5,0	8,0	12,0	4,0	5,5	9,0
3N ~ 400/50 (1 ступень мощности)									
Номинальное потребление мощности [кВт]	4,5			7,0			10,5		
Номинальное потребление тока [А]	6,5			10,0			15,5		
Повышение температуры воздуха (ΔT) [°C]	3,0	4,0	6,0	3,0	4,0	7,0	3,0	4,0	6,5

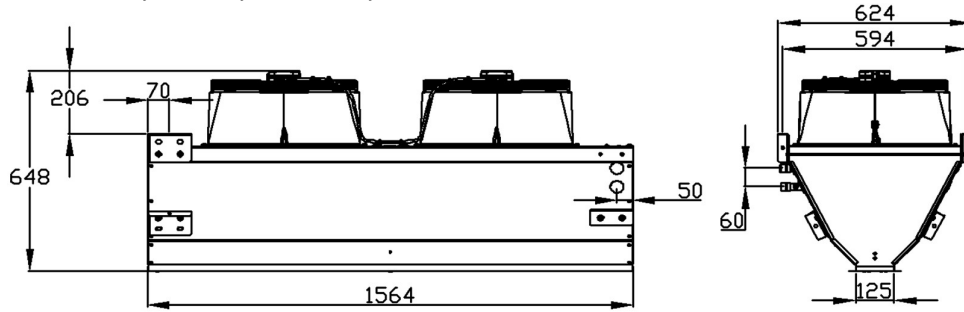
* В соответствии с ISO 27327-1;

** уровень акустического давления был измерен в помещении объемом 1500 м³ со средним коэффициентом звукопоглощения, коэффициент направленности: Q=2;

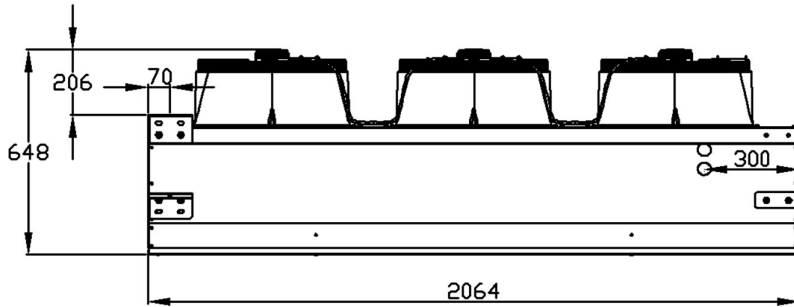
*** В соответствии с ISO 27327-2;

6. ГАБАРИТЫ

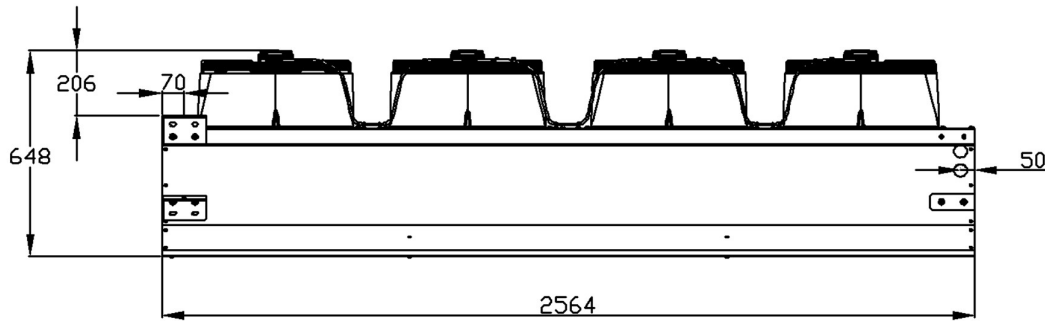
ELiS: G-N-150; G-W-150; G-W-150 2R; G-E-150



ELiS: G-N-200; G-W-200; G-W-200 2R; G-E-200



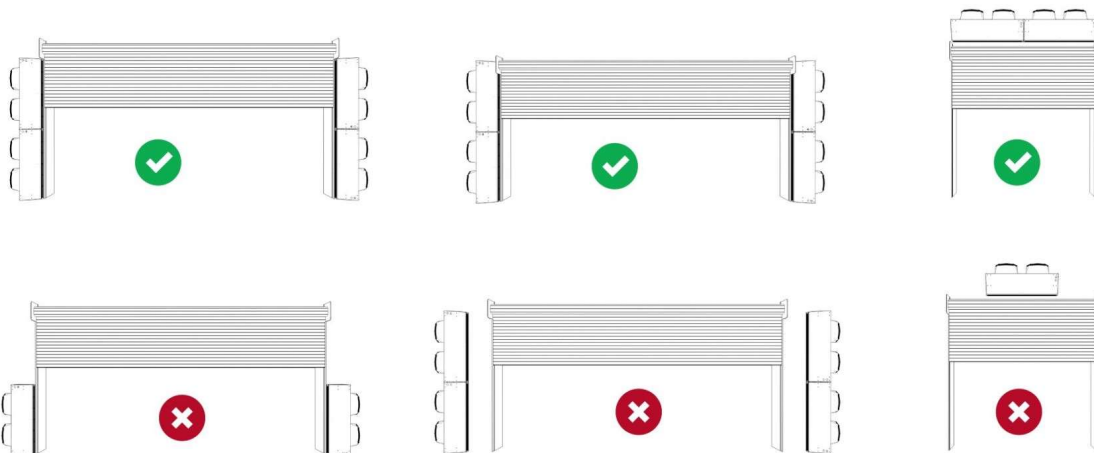
ELiS: G-N-250; G-W-250; G-E-250



7. УСТАНОВКА

Воздушные завесы должны быть установлены как можно ближе к дверному проему и перекрывать:

- по всей ширине (относится к горизонтальной установке),
- по всей высоте (относится к вертикальному монтажу).




8. МОНТАЖ - РЕКОМЕНДУЕМЫЕ РАССТОЯНИЯ

Воздушные завесы ELiS G поставляются с комплектом держателей, которые позволяют устанавливать их как горизонтально, так и вертикально. Монтажные шпильки и винты, необходимые для крепления устройства к стене/полу/столбу, в комплект не входят.

Максимальный размер закрытого дверного проема:

- при вертикальной односторонней установке максимальная ширина 8,0 м для ELiS G-N; 7,5 м для ELiS G-E/W, ELiS G-W-2R,
- при вертикальной односторонней установке максимальная ширина 14,0 м для ELiS G-N; 13,0 м для ELiS G-E/W, ELiS G-W-2R,
- при горизонтальной установке максимальная высота 8,0 м для для ELiS G-N; 7,5 м для ELiS G-E/W, ELiS G-W-2R,

ПРЕДУПРЕЖДЕНИЕ  Оборудование можно запускать в работу только правильной установки.

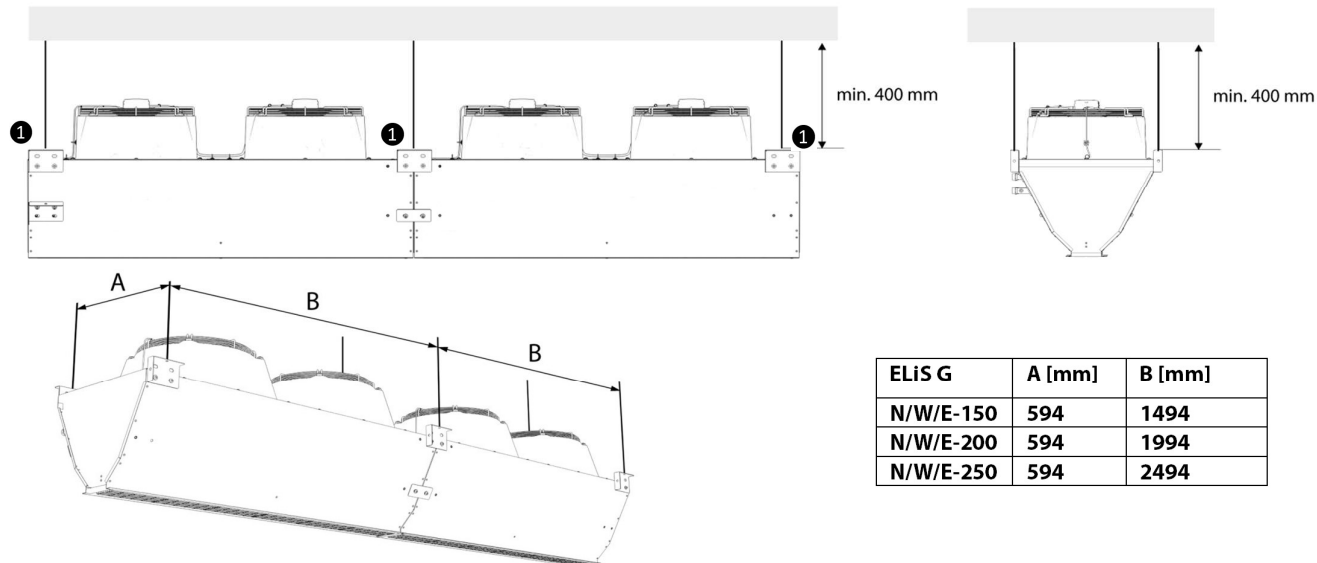


РИС. 8.1 ГОРИЗОНТАЛЬНАЯ УСТАНОВКА

Максимальная длина комплекта составляет 10 м. В случае горизонтальной установки используйте монтажные держатели **1** и монтируйте завесу с помощью резьбовых шпилек M10 (не входят в комплект). Одну завесу устанавливается с помощью 4 шт. держателей, две завесы - с помощью 6.шт. Монтажные держатели используются для крепления завес между собой, как показано на рисунке.

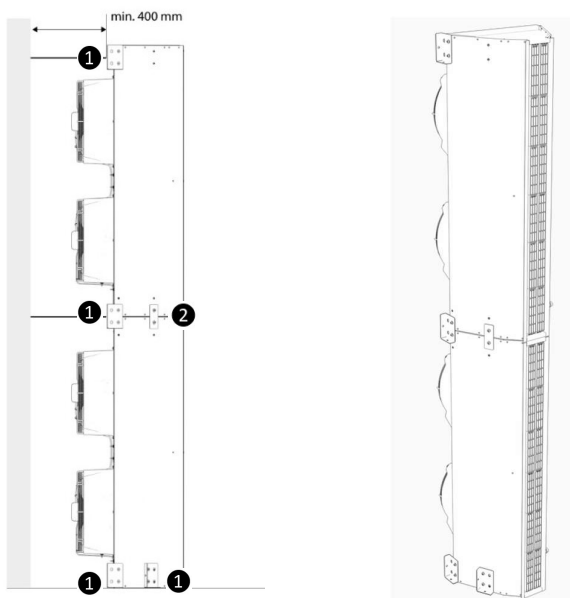


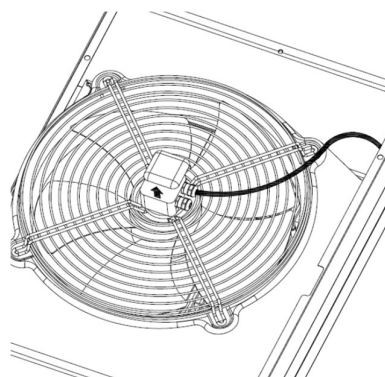
РИС. 8.2 ВЕРТИКАЛЬНАЯ УСТАНОВКА.

Вертикальная установка осуществляется с помощью входящих в комплект монтажных держателей **1**, с помощью которых нужно прикрепить устройство к полу. Следующая воздушная завеса устанавливается на первую и прикручивается к ней через монтажные держатели **1** и **2**, эти монтажные держатели должны быть прикреплены к стене/столбу (рисунок). Также необходимо закрепить устройство в самой высокой точке установки. В случае вертикального монтажа, допускается соединение макс. 4 воздушных завес.

9. ЭЛЕКТРИЧЕСКОЕ ПОДКЛЮЧЕНИЕ

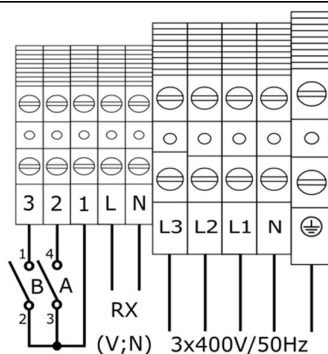
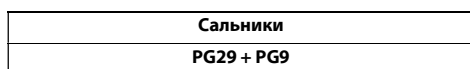
G-N-150; G-W-150; G-W-150 2R; G-E-150; G-N-200; G-W-200; G-W-200 2R; G-E-200; G-N-250; G-W-250; G-E-250;

Чтобы подключить вентиляторы завесы нужно снять внешнюю панель последнего вентилятора (для G-W / N / E-250, требуется два электрических подключения к вентиляторам). Вытяните кабель с помощью сальников (PG9 или PG11) и подключите провода согласно схеме с крышки коробки.



G-E-150; G-E-200; G-E-250

Чтобы включить вентиляторы необходимо подать питание на нагревательные элементы 3N 400 В / 50 Гц, подключив кабели к коробке, расположенной между соплами вентиляторов (через сальник PG29). Затем подключите сигнал запуска от распределителя RX к клеммов (L; N через сальник PG9).



Степень мощности [кВт]			
ELiS G	A	B	A + B
E-150	4,5	9,0	13,5
E-200	7,0	13,5	20,5
E-250	10,5	14,5	24,5

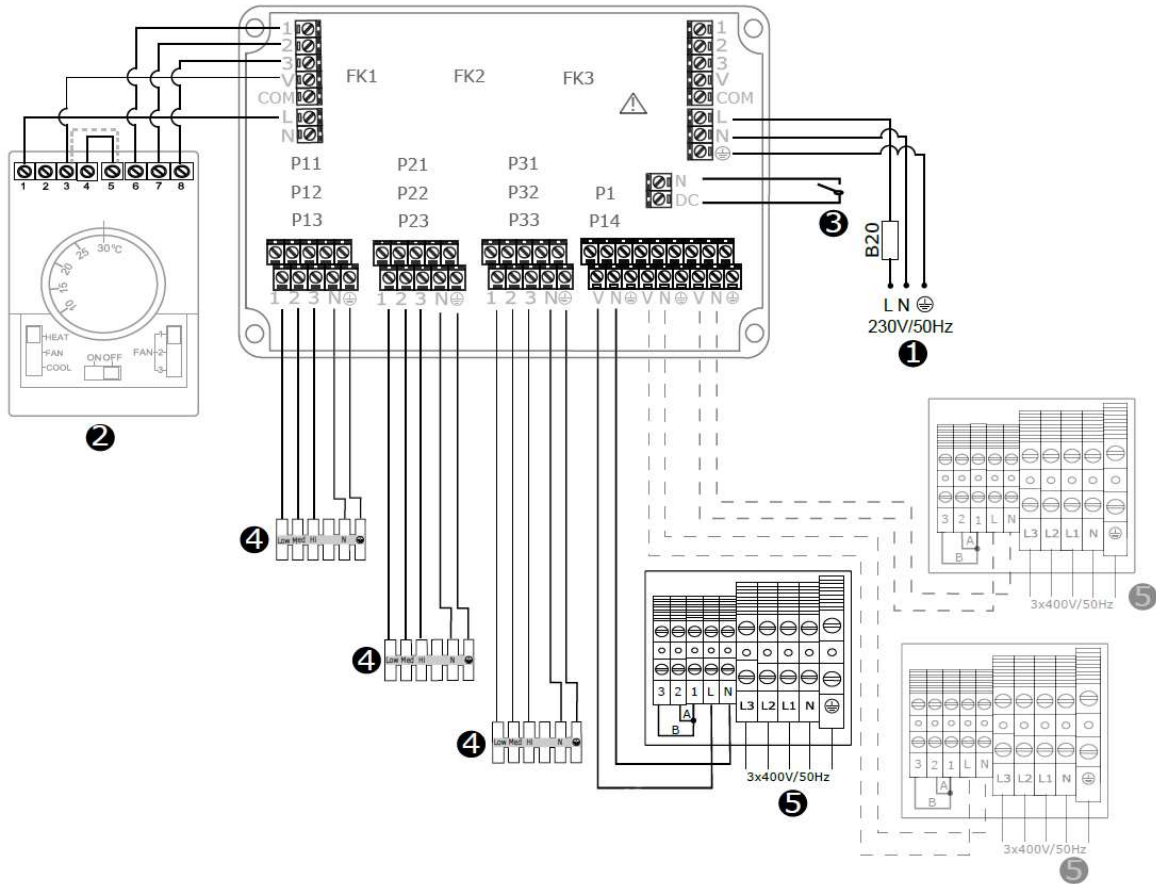
Устройство в стандарте оснащено кабельной перемычкой на уровне мощности A+B. Возможно подключить переключатель мощности, индекс: 57425

ВНИМАНИЕ



1. Подключение питания должно быть выполнено в соответствии с технической документацией. Установка устройства всегда должна выполняться в соответствии с действующими местными стандартами безопасности.
2. Сечение и тип кабеля, а также защиты должны быть выбраны проектировщиком. Всегда следите за тем, чтобы разъемы и автоматические выключатели были надлежащего размера и отключали все полюса источника питания.
3. Убедитесь, что подключение источника питания и контроллеров к завесе ELiS G выполнено в соответствии с электрическими спецификациями и инструкциями, включенными в схемы подключения в технической документации.
4. Перед подключением питания убедитесь, что напряжение сети соответствует напряжению, указанному на фирменной табличке устройства.
5. Перед подключением воздушной завесы проверьте подключение питания.
6. Запуск устройства без подключения провода заземления не допускается.
7. Защитите шнур питания от вытягивания, зажав его в сальниках вентиляторов и распределительной коробке.
8. Правильно затяните все соединительные кабели в блоке.
9. В случае опасности, связанной с непреднамеренным сбросом теплового выключателя, данная завеса (ELiS G E) не должна питаться от внешнего соединительного устройства, такого как реле времени, или подключаться к цепи, которая регулярно выключается и включается во время использования.

10. УПРАВЛЕНИЕ - СХЕМА ПОДКЛЮЧЕНИЯ ELiS G-E 150; G-E 200



RX

- 1 питание RX: 230 В / 50 Гц (ОМУ мин. 3x1,5 мм²); сальники 16 x PG11
- 2 3 - ступенчатый выключатель с термостатом TS (ОМУ мин. 5x0,5 мм²)
 - HEAT - режим отопления
 - FAN - режим вентиляции (без отопления)
 - COOL - режим охлаждения
 - 1;2;3 - изменение скорости вентилятора
 - FAN AUTO, переключатель 3-5, работа вентилятора зависит от температуры,
 - FAN CONT, переключатель 4-5, непрерывная работа вентилятора
- 3 Дверной контакт DCm (клеммы открытые – дверь открыта) (ОМУ 2x0,5 мм²);
- 4 подключение питания для вентиляторов завесы ELiS G (к одному этажному щиту можно подключить одну завесу) (ОМУ мин. 5x1,0 мм²); сальники PG7 + PG9
- 5 Распределительная коробка электропитания 3x400 В / 50 Гц
 - ELiS G-E-150 (мин. 5x4,0 мм²)(сверхток B25)
 - ELiS G-E-200 (мин. 5x6,0 мм²)(сверхток B40)
 - Управляющий сигнал к распределительной коробке (ОМУ мин. 2x0,5 мм²);
 - сальники PG29 + PG9

FK1; FK2; FK3 - защита от сверхтока (6,3 А);

СОВЕТ



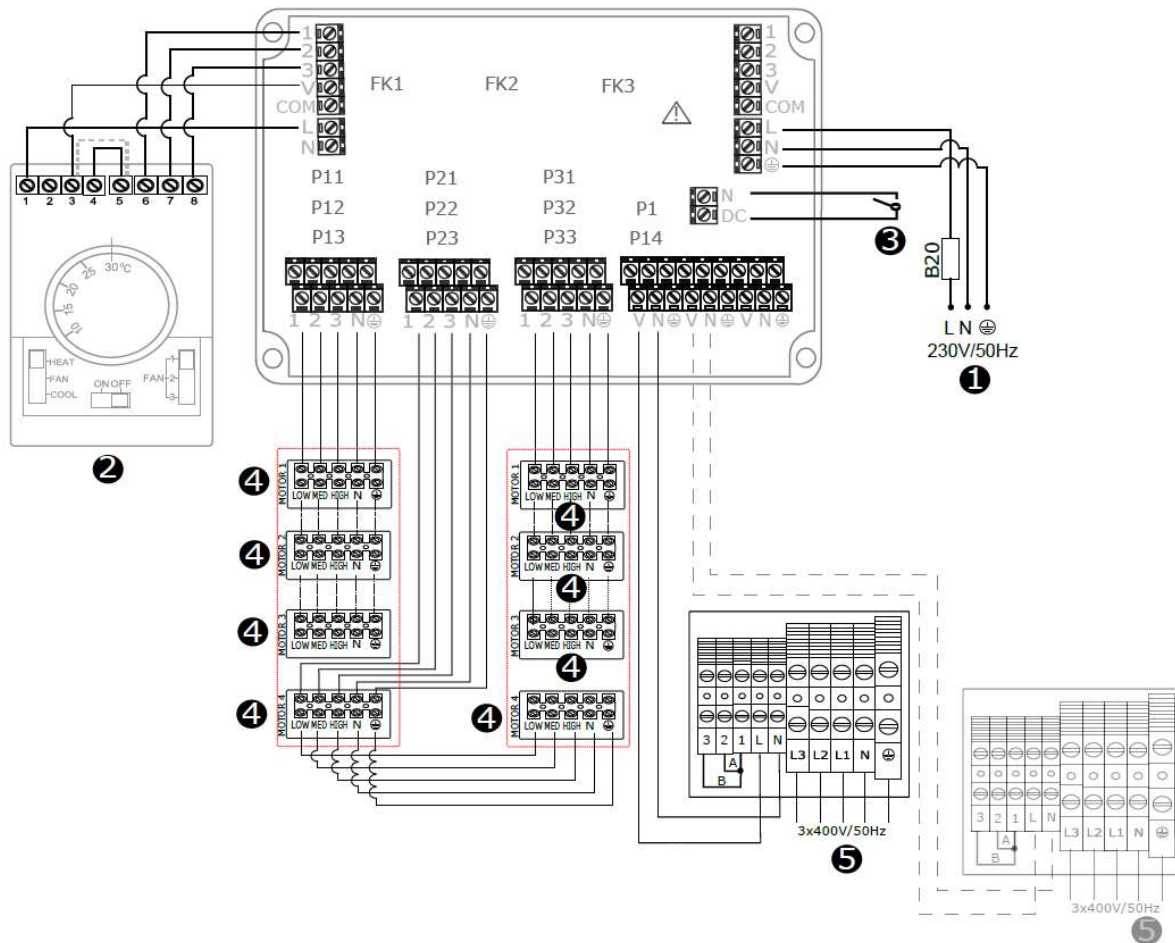
1. Чтобы подключить кабели от распределителя сигнала RX к завесе, снимите крышку коробки вентилятора, а затем проведите кабель через свободный сальник.
2. При отсутствии дверного датчика воздушная завеса будет работать в зависимости от настроек термостата TS. При работе с датчиком завеса включится только при открытии ворот (контакты разъема N; DC разомкнуты).
3. Для подключения нагревательных элементов и сигнала запуска нагрева от RX демонтируйте крышку коробки, расположенной между соплами вентиляторов, а затем проведите кабели через сальники.

ВНИМАНИЕ



1. К одному RX можно подключить максимум 3 завесы G-E-150 или G-E-200.
2. Перед доступом к клеммам отключите все силовые цепи.

11. УПРАВЛЕНИЕ - СХЕМА ПОДКЛЮЧЕНИЯ ELiS G-E 250



RX

- 1 питание RX: 230 В / 50 Гц (ОМУ мин. 3x1,5 мм²); сальники 16 x PG11
- 2 3 - ступенчатый выключатель с термостатом TS (ОМУ мин. 5x0,5 мм²)
 - HEAT - режим отопления
 - FAN - режим вентиляции (без отопления)
 - COOL - режим охлаждения
 - 1;2;3 - изменение скорости вентилятора
 - FAN AUTO, переключатель 3-5, работа вентилятора зависит от температуры,
 - FAN CONT, переключатель 4-5, непрерывная работа вентилятора
- 3 Дверной датчик т DCm (клеммы открытые – дверь открыта) (ОМУ 2x0,5 мм²);
- 4 подключение питания для вентиляторов завесы ELiS G (ОМУ мин. 5x1,0 мм²); сальники PG7 + PG9
- 5 Распределительная коробка электропитания 3x400 В / 50 Гц
 - ELiS G-E-250 (мин. 5x6,0 мм²)(сверхток В40)
 - Управляющий сигнал к распределительной коробке (ОМУ мин. 2x0,5 мм²)
 - сальники PG29 + PG9

FK1; FK2; FK3 - защита от сверхтока (6,3 А);

СОВЕТ



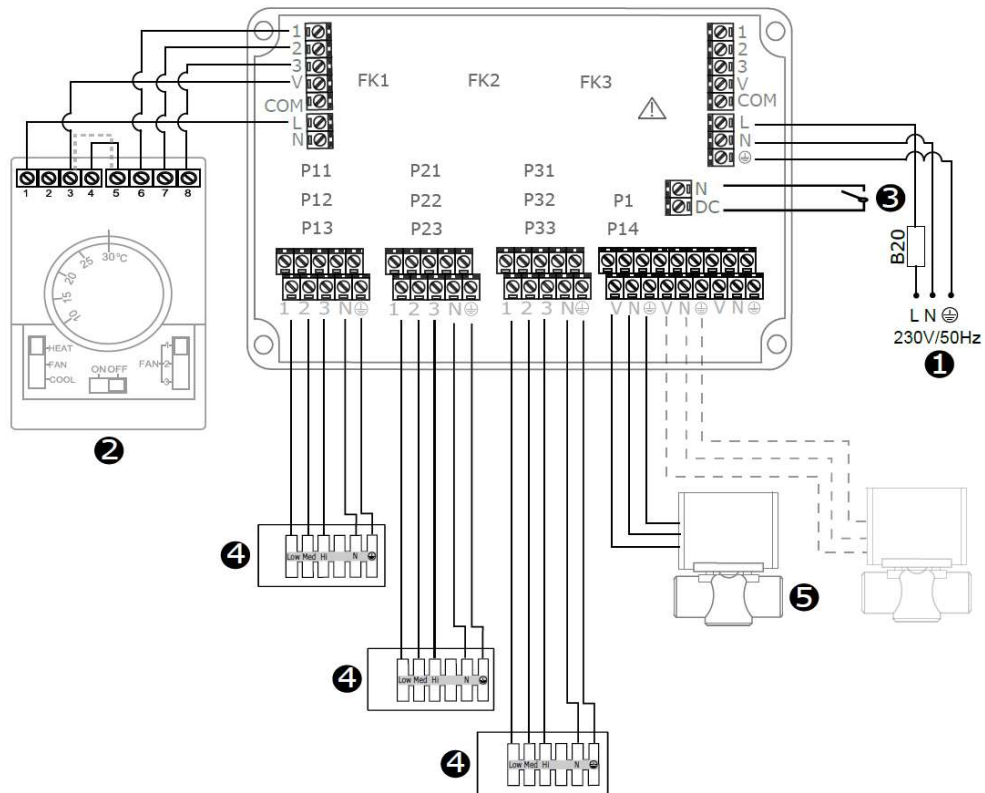
1. Чтобы подключить кабели от распределителя RX к завесе, снимите крышку коробки вентилятора, а затем проведите кабель через свободный сальник.
2. Без дверного датчика воздушная завеса будет работать в зависимости от настроек термостата TS. При работе с датчиком завеса будет включаться только при открытии ворот (контакты разъема N; DC разомкнуты).
3. Для подключения нагревательных элементов и сигнала запуска нагрева от RX демонтируйте крышку коробки, расположенной между соплами вентиляторов, а затем проведите кабели через сальники.

ВНИМАНИЕ



1. К одному распределителю можно подключить максимум 2 завесы G-E-250
2. Перед доступом к клеммам отключите все силовые цепи.

12. УПРАВЛЕНИЕ - СХЕМА ПОДКЛЮЧЕНИЯ ELiS G-N-150; G-W-150; G-W-150 2R; G-N-200; G-W-200; G-W-200; G-W-200 2R



RX

- ① питание RX: 230 В / 50 Гц (ОМУ мин. 3x1,5 мм²); сальники 16 x PG11
- ② 3 - ступенчатый выключатель с термостатом TS (ОМУ мин. 5x0,5 мм²)
 - HEAT - режим отопления
 - FAN - режим вентиляции (без отопления)
 - COOL - режим охлаждения
 - 1;2;3 - изменение скорости вентилятора
 - FAN AUTO, переключатель 3-5, работа вентилятора зависит от температуры,
 - FAN CONT, переключатель 4-5, непрерывная работа вентилятора
- ③ Дверной датчик DCm (клеммы открытые – дверь открыта) (ОМУ 2x0,5 мм²);
- ④ подключение питания для вентиляторов завесы ELiS G (ОМУ мин. 5x1,0 мм²); сальники PG7 + PG9
- ⑤ Питание клапана SRQ/SRQ3d (ОМУ мин. 3x0,75 мм²)

FK1; FK2; FK3 - защита от сверхтока (6,3 А);



СОВЕТ

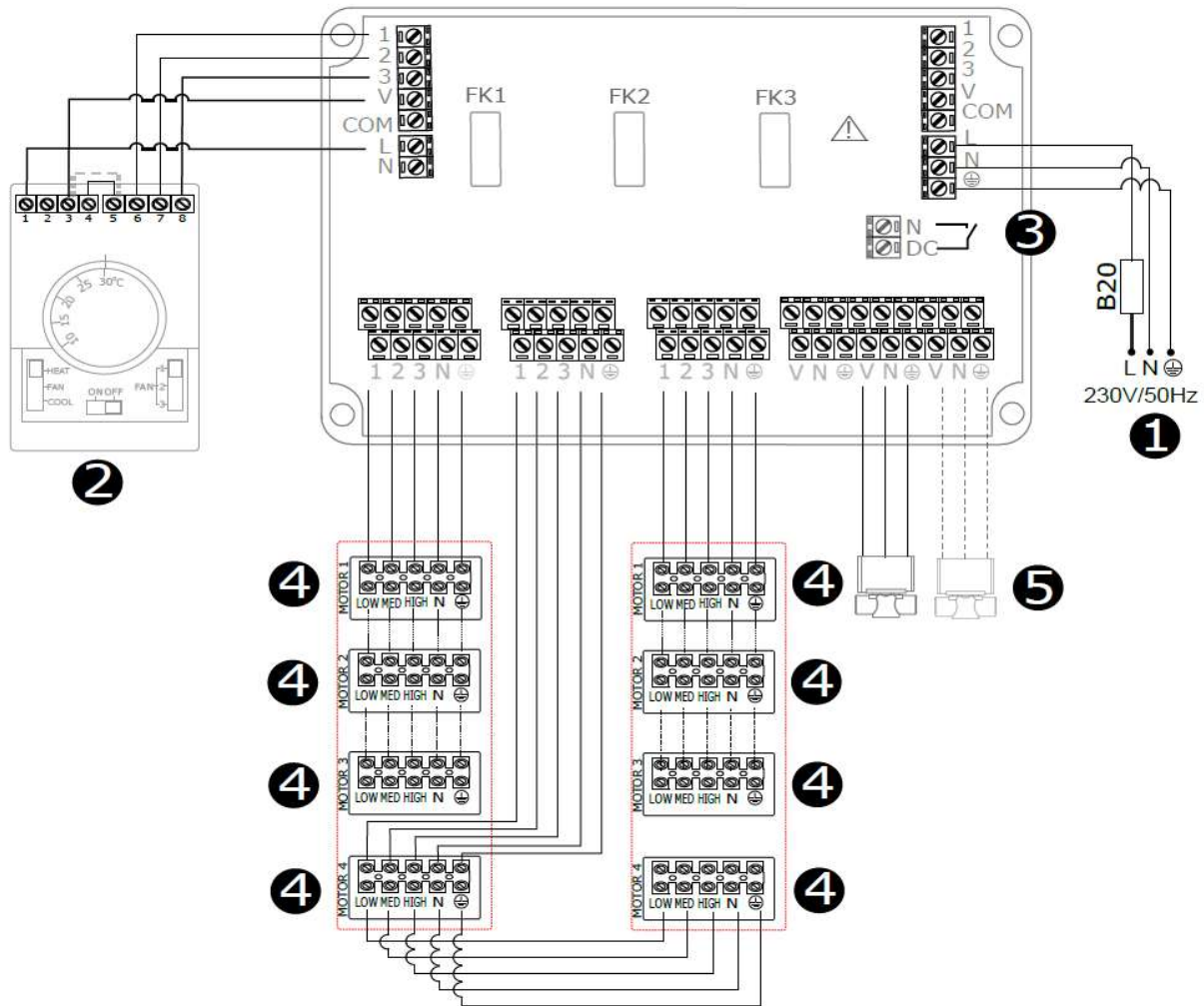
1. Чтобы подключить кабели от распределителя RX к завесе, снимите крышку коробки вентилятора, а затем проведите кабель через свободный сальник.
2. При отсутствии дверного датчика воздушная завеса будет работать в зависимости от настроек термостата TS. При работе с датчиком ворот завеса будет включаться только при открытии ворот (контакты разъема N; DC разомкнуты).



ВНИМАНИЕ

1. К одному распределителю можно подключить максимум 3 завесы ELiS G-W/N-150 или G-W/N-200.

13. УПРАВЛЕНИЕ - СХЕМА ПОДКЛЮЧЕНИЯ ELiS G-N-250; G-W-250



RX

- 1 Питание RX: 230 В / 50 Гц (ОМУ мин. 3x1,5 мм²); сальники 16 x PG11
- 2 3 - ступенчатый выключатель с термостатом TS (ОМУ мин. 5x0,5 мм²)
 - HEAT - режим отопления
 - FAN - режим вентиляции (без отопления)
 - COOL - режим охлаждения
 - 1;2;3 - изменение скорости вентилятора
 - FAN AUTO, переключатель 3-5, работа вентилятора зависит от температуры,
 - FAN CONT, переключатель 4-5, непрерывная работа вентилятора
- 3 Дверной датчик DCm (клеммы открытые – дверь открыта) (ОМУ 2x0,5 мм²);
- 4 Подключение питания для вентиляторов завесы ELiS G (ОМУ мин. 5x1,0 мм²); сальники PG7 + PG9
- 5 Питание клапана SRQ/SRQ3d (ОМУ мин. 3x0,75 мм²)

FK1; FK2; FK3 - защита от сверхтока (6,3 А);



СОВЕТ

1. Чтобы подключить кабели от распределителя к завесе, снимите крышку коробки вентилятора, а затем проведите кабель через свободный сальник.
2. По умолчанию три вентилятора подключены вместе, четвертый должен быть подключен отдельно к другому каналу распределителя RX.
3. При отсутствии дверного датчика воздушная завеса будет работать в зависимости от настроек термостата TS. При работе с датчиком ворот завеса будет активирована только при открытии ворот (контакты разъема N; DC разомкнуты).



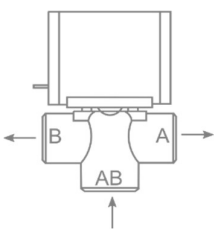
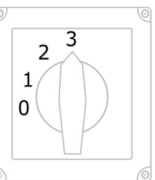
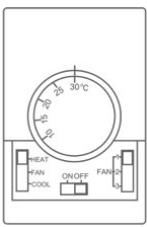
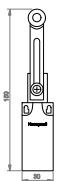
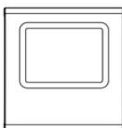
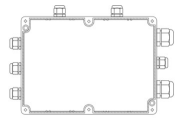
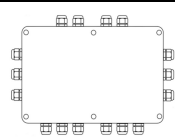
ВНИМАНИЕ

1. К одному RX можно подключить максимум 2 ELiS G-W/N-250

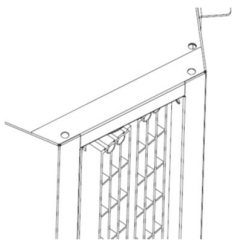
14. УПРАВЛЕНИЕ - DRV ELiS + T-BOX

В случае подключения модуля управления DRV ELiS с инновационным T-box к распределителю RX, это следует сделать вместо контроллера TS и использовать схемы, имеющиеся в документации к распределителю RX. В этом случае подключение завес к распределителю RX соответствует схеме, представленной в главах 10-13.

15. ЭЛЕМЕНТЫ УПРАВЛЕНИЯ

SRQ3d 3/4" - трехходовой клапан 3/4" с сервоприводом SRQ2d 3/4" - двухходовой клапан 3/4" с сервоприводом	
	<p>Степень защиты: IP20 Напряжение питания: 230/50 Гц Макс. температура источника тепла: +93°C Макс. рабочее давление: 2,1 МПа Kvs: 6,5 м³/ч Установка: на подаче Время работы двигателя: 18 с А - подача воды на обратке АВ - подача теплоносителя на клапан В - Подача теплоносителя теплообменник</p>
Переключатель ступеней нагрева	
	<p>Степень защиты: IP55 Напряжение питания: 230/50 Гц Нагрузка клеммов: 10 А Диапазон рабочей температуры: 0 ... +40 °C</p>
TS - 3-ступенчатый регулятор скорости со встроенным термостатом	
	<p>Диапазон настройки температуры: +10 ... +30 °C Диапазон рабочих температур: 0 ... +40 °C Степень защиты: IP30 Нагрузка клеммов: индуктивная 5 А Напряжение питания: 230 В/50 Гц FAN AUTO - работа вентилятора зависит от температуры. FAN CONT - непрерывная работа вентилятора HEAT - функция отопления FAN - отключение термостата для FAN CONT COOL - реверс логики работы термостата</p>
DCm - механический дверной датчик	
	<p>Диапазон рабочих температур: -10 -+80°C Степень защиты: IP 66 Разъемы: 1xNC i 1xNO Максимальный ток: резистивный - 10 А индуктивный - 3 А Максимальная силовая нагрузка: 300 В переменного тока при 250 В постоянного тока</p>
T-box - контроллер с сенсорным экраном	
	<p>Диапазон настройки температуры: +5 ... +45°C Диапазон рабочих температур: 0 ... +60°C Степень защиты: IP30 Напряжение питания: 24 В постоянного тока</p>
DRV ELiS - модуль управления	
	<p>Диапазон рабочих температур: 0 ... +60°C Степень защиты: IP54 Напряжение питания: 230 В/50 Гц DRV ELiS может быть подключен к воздушной завесе ELiS G только через распределитель сигнала RX</p>
RX - разветвитель сигнала	
	<p>Диапазон рабочих температур: 0 ... +40°C Степень защиты: IP54 Напряжение питания: 230 В/50 Гц К одному распределителю сигнала можно подключить максимум 3 завесы G-N/W/E-150 или G-N/W/E-200 макс. 2 завесы ELiS из 2 G-N/W/E-250</p>

16. РЕГУЛИРОВКА ВЫПУСКНОЙ РЕШЕТКИ



Оборудование оснащено регулируемыми выпускными решетками. Угол должен быть установлен вручную в пределах $\pm 17^\circ$. Поток воздуха из выпускной решетки должен быть направлен как можно ближе к плоскости дверного проема (с учетом условий, преобладающих в дверном проеме).



СОВЕТ

Для повышения эффективности воздушного барьера в ветреную погоду воздушный поток завесы должен быть направлен наружу двери, чтобы создать более эффективный воздушный барьер для внешних факторов.

17. ПОДКЛЮЧЕНИЕ ГИДРАВЛИЧЕСКОЙ УСТАНОВКИ

ВНИМАНИЕ

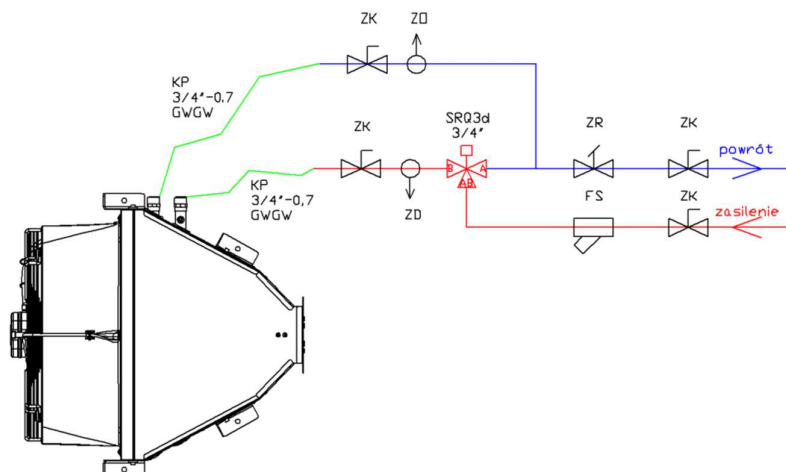


1. Перед подключением системы водоснабжения отключите питание завесы.
2. Соединение должно быть выполнено без напряжения. Рекомендуется использовать гибкие провода, подводящие теплоноситель.
3. Подача воды должна быть подключена к разъему, обозначенному символом красной стрелки.
4. Установка с теплоносителем должна быть защищена от повышения давления теплоносителя выше допустимого значения (1,6 МПа).
5. Перед запуском устройства проверьте правильность подключения проводов к теплоносителем и герметичность системы.
6. Во время подключения системы необходимо зафиксировать соединительные трубы теплообменника (счетчик)
7. После заполнения системы теплоносителем проверьте герметичность гидравлических соединений, включая встроенный воздухоотводчик.

СОВЕТ



1. Рекомендуется использовать клапаны стравливания/выпуска воздуха в самой высокой точке установки.
2. В случае, если вода из устройства сливается в течение длительного времени, трубки теплообменника следует продуть и просушить сжатым воздухом.
3. Установка должна быть выполнена таким образом, чтобы в случае поломки можно было демонтировать устройство (рекомендуется использовать гибкие шланги). Для этого используйте запорные клапаны рядом с устройством. (рис. 16.1).



ZK - запорный клапан
 ZO - выпускной клапан
 ZR - балансировочный клапан
 ZD - дренажный клапан
 FS - сетчатый фильтр
 KP - гибкие шланги
 SRQ3d - 3-ходовой клапан с сервоприводом ON/OFF

РYS.16.1. ПРИМЕР СОЕДИНЕНИЯ ГИДРАВЛИЧЕСКИХ КОМПОНЕНТОВ. Параметр

18. ПАРАМЕТРЫ ТЕПЛОНОСИТЕЛЯ

В водяной теплообменник можно подавать воду или гликолевые растворы до 60%. Трубки теплообменника изготовлены из меди. Нагревательная среда не должна вызывать коррозию этого материала. В частности, должны быть обеспечены параметры, указанные ниже.

Параметр	Значение
pH	7,5-9,0
Загрязнение окружающей среды	Не содержит отложений/частиц
Общая жесткость	$[Ca^{2+}, Mg^{2+}] / [HCO_3^-] > 0,5$
Масло и смазка	<1 мг/л
Кислород	<0,1 мг/л
НСО ³	60-300 мг/л
Аммиак	< 1,0 мг/л
Сульфиды	< 0,05 мг/л
Хлориды, Cl	<100 мг/л

19. ЭКСПЛУАТАЦИЯ

ВНИМАНИЕ



1. Устройство необходимо периодически проверять. Эти действия должны выполняться ТОЛЬКО квалифицированным персоналом. Если оборудование не работает, немедленно выключите его и свяжитесь с отделом поддержки FLOWAIR.
2. Не пытайтесь самостоятельно ремонтировать, перемещать, модифицировать или переустанавливать устройство. Выполнение этих действий неуполномоченным персоналом может привести к поражению электрическим током или пожару.
3. Не используйте поврежденное устройство. Производитель не несет ответственности за ущерб, возникший в результате использования поврежденного устройства.
4. Устройство предназначено для использования в помещении при температуре выше 0°C. При температуре ниже 0°C существует риск замерзания теплоносителя.

Производитель не несет ответственности за повреждение теплообменника в результате замерзания воды в теплообменнике.

СОВЕТ



1. Нагревательные элементы оснащены термозащитой, которая в случае слишком высокой температуры в окружающей среде отключает нагрев. Отопление может быть включено снова после снижения температуры, а ручной перезагрузка осуществляется путем выключения и включения отопления с помощью внешнего контроллера.

Если нагрев отключается неоднократно, обратитесь в квалифицированный сервисный центр.

2. В случае водяных завес завес завес, когда вода из устройства сливается на длительное время, трубки теплообменника следует продуть сжатым воздухом.

20. ОЧИСТКА И ОБСЛУЖИВАНИЕ

Периодически проверяйте (не реже двух раз в год) уровень загрязнения теплообменника (ELiS G W), электронагревателей (ELiS G E). Засорение части воздухозаборника приводит к снижению тепловой мощности прибора и отрицательно влияет на работу вентилятора, а в случае электрических нагревателей может привести к постоянной потере номинальных параметров.

Очистку теплообменника следует проводить в соответствии со следующими рекомендациями:

СОВЕТ



- Во время очистки необходимо отключить электропитание.
- Демонтируйте вентиляторы и очистите теплообменник через воздушные форсунки.
- При очистке теплообменника будьте осторожны, чтобы не погнуть алюминиевые ребра.
- Не рекомендуется использовать для чистки острые предметы из-за возможности повреждения ламелей.
- Рекомендуется очистка сжатым воздухом.
- Теплообменник нельзя чистить водой!
- Очистку следует проводить вдоль ламелей, при этом сопло обдува должно быть перпендикулярно теплообменнику.

21. СБОР ОТХОДОВ ЭЛЕКТРОННОГО И ЭЛЕКТРИЧЕСКОГО ОБОРУДОВАНИЯ

Ведение бизнеса без ущерба для окружающей среды и соблюдение правил обращения с отходами электрического и электронного оборудования является приоритетом компании FLOWAIR.

Символ перечеркнутой мусорной корзины, размещенный на оборудовании, упаковке или прилагаемых документах, означает что продукт нельзя выбрасывать вместе с другими отходами. Пользователь несет ответственность за передачу использованного оборудования в назначенный пункт сбора для надлежащей обработки. Кроме того, символ означает, что оборудование появилось на рынке после 13 августа 2005 года.



Для получения информации о системе сбора отходов электрического и электронного оборудования свяжитесь с дистрибьютором.

ПОМНИТЕ:

Не выбрасывайте использованное оборудование вместе с другими отходами! Такое поведение может привести к штрафам. Правильное обращение с использованным оборудованием предотвращает возможные негативные последствия для окружающей среды и здоровья человека. Мы повторно используем материалы, полученные в результате обработки оборудования и экономим природные ресурсы Земли.

